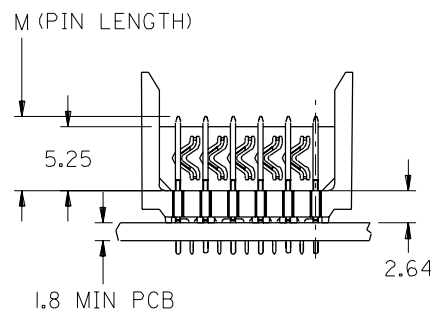
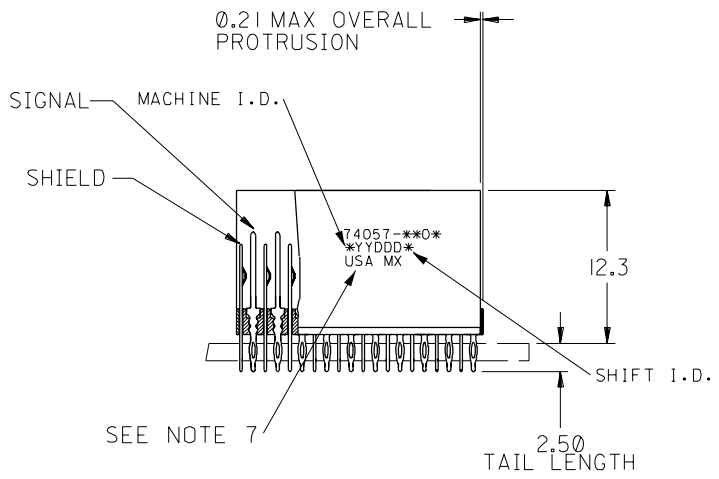


BACKPLANE HOLE PATTERN
RECOMMENDED DIMENSIONS

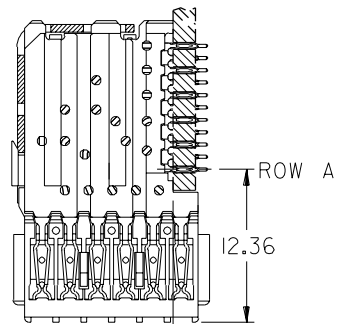
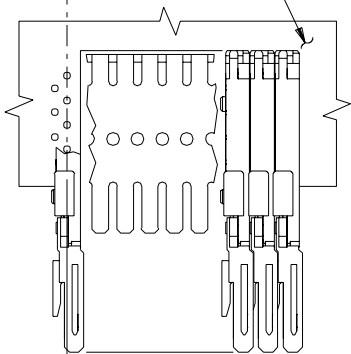
NOTES:

- MATERIALS:
HOUSING - LIQUID CRYSTAL POLYMER (LCP),
GLASS-FILLED, UL 94V-0, COLOR: BLACK,
SIGNAL PIN & SHIELD - COPPER ALLOY.
- FINISHES:
SELECTIVE GOLD (Au) IN CONTACT AREA;
SELECTIVE TIN/LEAD (Sn/Pb) ON PCB TAILS AND
NICKEL (Ni) OVERALL.
- THIS PART CONFORMS TO MOLEX
PRODUCT SPECIFICATION PS-74031-999
- FOR MIXED CONTACT MATING LENGTHS.
CONSULT MOLEX FOR AVAILABILITY.
- FOR SPECIFIC MATERIAL NUMBERS
AND MATING INFORMATION REFER TO
SHEET 2.
- PACKAGE PER PK-74057-003.
- EITHER MARK PARTS WITH PART NUMBER AND DATE CODE
APPROXIMATELY WHERE SHOWN OR PLACE LABEL ON THE TUBE.



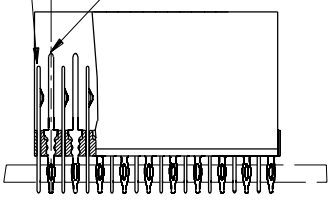
REVISED EC NO. UDT2002-0443 DRWN: MWANG 01/09/18 CHK: JLAURX 01/09/19 APPR: CBIXLER 01/09/19	QUALITY SYMBOLS MAJOR $\nabla = 0$ CRITICAL $\nabla C = 0$	GENERAL TOLERANCES: (UNLESS SPECIFIED)		SCALE 2.5:1	DESIGN UNITS <input checked="" type="checkbox"/> mm <input type="checkbox"/> INCH	DIMENSIONS: <input type="checkbox"/> mm <input type="checkbox"/> INCH <input checked="" type="checkbox"/> mm ONLY	THIRD ANGLE PROJECTION	SHEET NO. 2 OF 2	
		DRAWN BY & DATE MWANG 11/09/98	TITLE: VHDM BACKPLANE 6 ROW OPEN ENDS SALES DRAWING		CHECKED BY & DATE JLAURX 11/09/98	APPROVED BY & DATE CBIXLER 11/09/98	MATERIAL NO. SEE SHEET 2	DRAWING NO. SD-74057-002	SIZE B
		ANGULAR: $\pm \text{---}^\circ$	DRAFT WHERE APPLICABLE MUST REMAIN WITHIN DIMENSIONS		CAD FILENAME SD-74057-002.DGN		THIS DRAWING CONTAINS INFORMATION THAT IS PROPRIETARY TO MOLEX INCORPORATED AND SHOULD NOT BE USED WITHOUT WRITTEN PERMISSION.		
		REV G	MOLEX INCORPORATED						

SIGNAL COLUMN
DAUGHTERCARD CONNECTOR SIDE

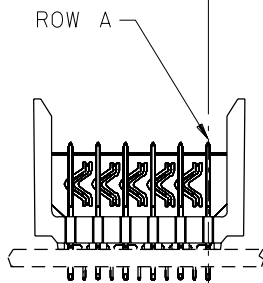


0.41 OFFSET SIGNAL TO SIGNAL

SHIELD SIGNAL



0.66 TOP DAUGHTERCARD PCB TO \varnothing ROW A



PART NUMBER	COLUMN	NUMBER OF SIGNAL	NUMBER OF PIN	SHIELD	A MAX	B	M	Au (um) THICKNESS	Sn/Ph (um) THICKNESS
74057-1001	10	60	10	10	20.00	18.00	4.75	0.76	0.38-1.52
74057-1006								1.27	
74057-2501	25	150	25	50.00	48.00	0.76			
74057-2506						1.27			
74057-1002	10	60	10	20.00	18.00	6.25	0.76		
74057-1007							1.27		
74057-2502	25	150	25	50.00	48.00		0.76		
74057-2507							1.27		
74057-1003	10	60	10	20.00	18.00	4.25	0.76		
74057-1008							1.27		
74057-2503	25	150	25	50.00	48.00		0.76		
74057-2508							1.27		
74057-1004	10	60	10	20.00	18.00	5.15	0.76		
74057-1009							1.27		
74057-2504	25	150	25	50.00	48.00		0.76		
74057-2509							1.27		

REVISED
EC NO. UDT2002-0443
DRWN: MWANG 01/05/18
CHK: NMARTIN 01/05/19
APPR: CBIXLER 01/09/19

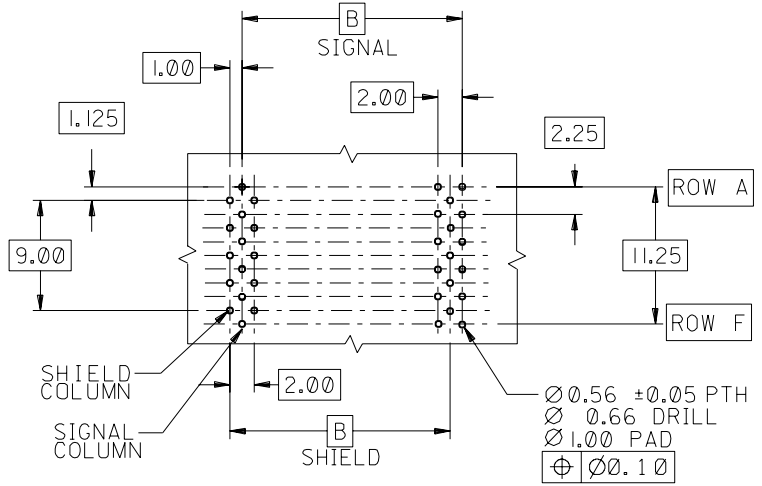
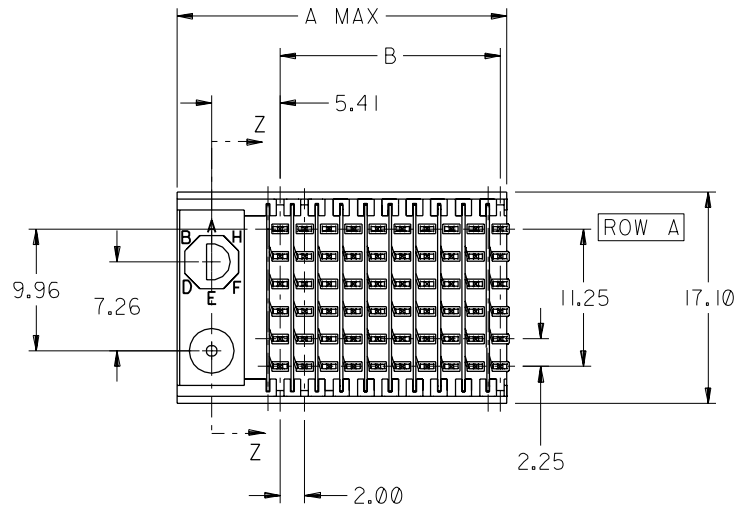
QUALITY SYMBOLS
MAJOR $\blacktriangledown = \varnothing$
CRITICAL $\blacktriangledown C = \varnothing$

GENERAL TOLERANCES: (UNLESS SPECIFIED)
mm INCH
4 PLACES ± 0.15 \pm
3 PLACES ± 0.25 \pm
2 PLACES ± 0.38 \pm
1 PLACE ± 0.51 \pm
ANGULAR: $\pm \text{---}^\circ$
DRAFT WHERE APPLICABLE MUST REMAIN WITHIN DIMENSIONS

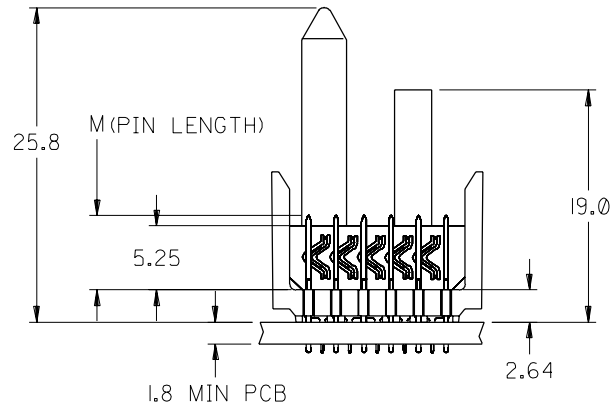
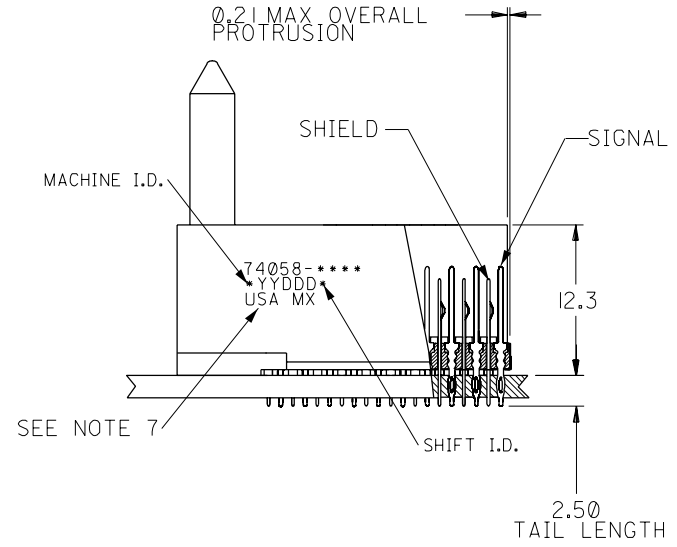
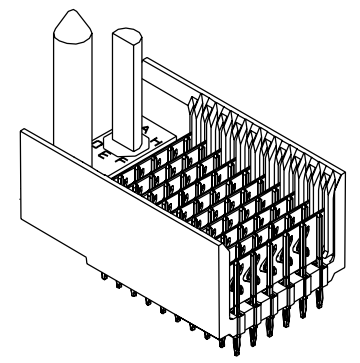
SCALE 2.5:1
DESIGN UNITS mm INCH
DRAWN BY & DATE MWANG 11/09/98
CHECKED BY & DATE JLAURX 11/09/98
APPROVED BY & DATE CBIXLER 11/09/98
CAD FILENAME SD-74057-002.DGN

DIMENSIONS: mm INCH mm ONLY
THIRD ANGLE PROJECTION
TITLE: VHDM BACKPLANE 6 ROW OPEN ENDS SALES DRAWING
MATERIAL NO. SEE CHART

SHT 2 REV
REVISE ON CAD ONLY
MOLEX INCORPORATED
DRAWING NO. SD-74057-002 SHEET NO. 2



BACKPLANE HOLE PATTERN
RECOMMENDED DIMENSIONS

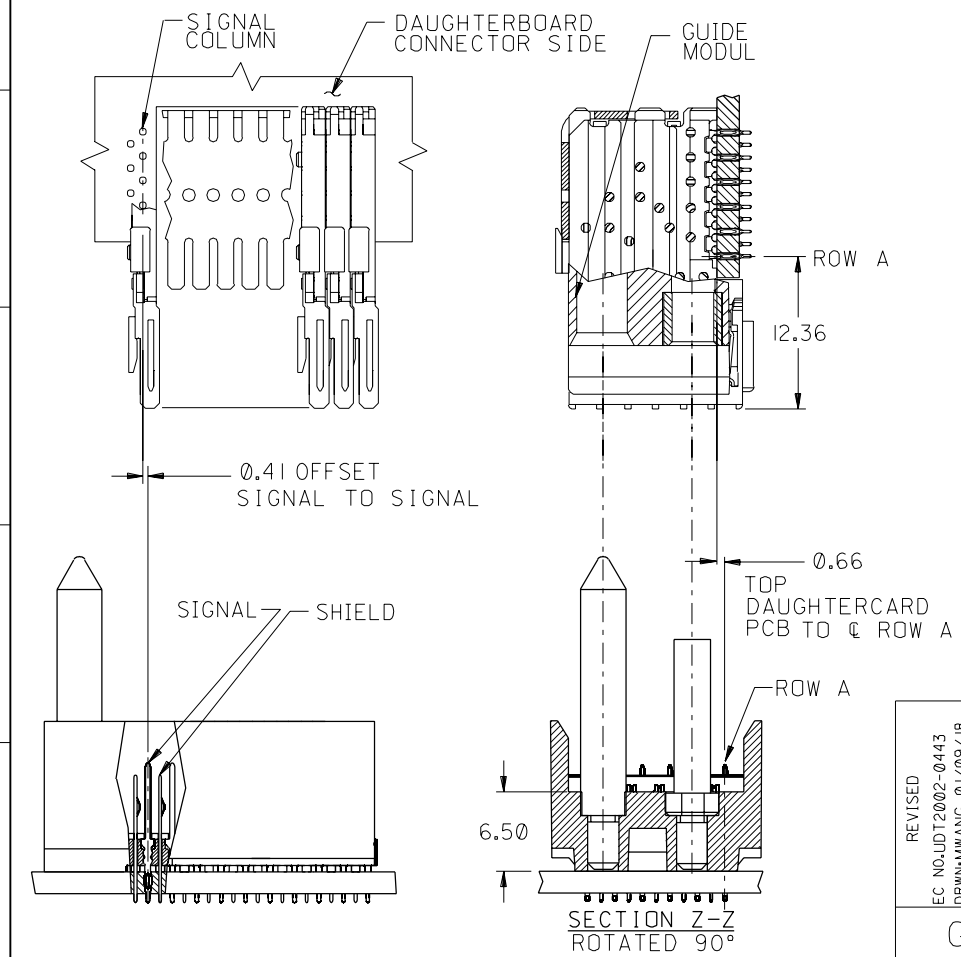
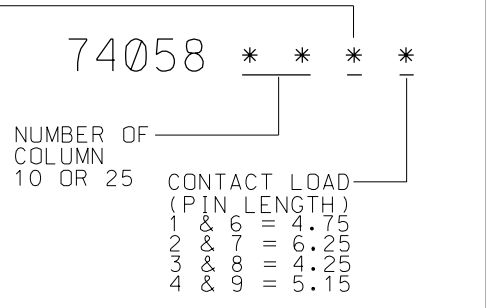
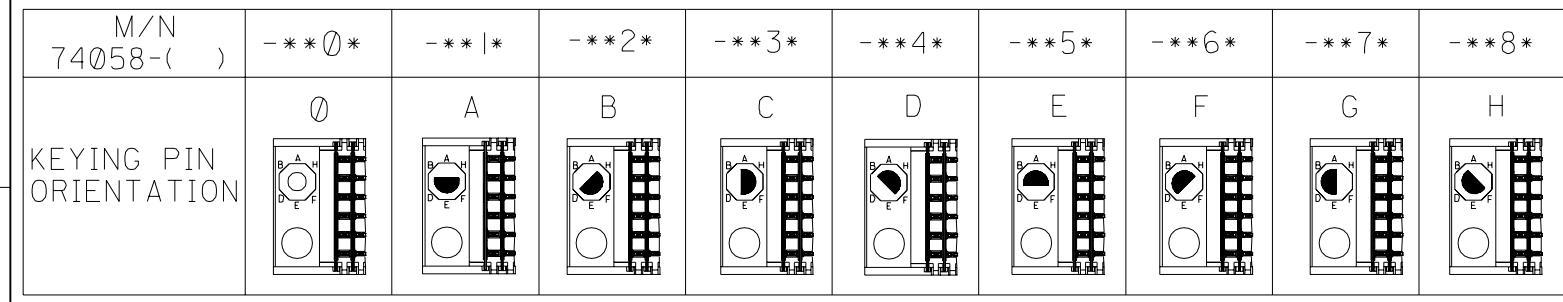


- NOTES:
- MATERIALS:
HOUSING - LIQUID CRYSTAL POLYMER (LCP),
GLASS-FILLED, UL 94V-0, COLOR: BLACK.
SIGNAL PIN & SHIELD - COPPER ALLOY.
 - FINISHES:
SELECTIVE GOLD (Au) IN CONTACT AREA;
SELECTIVE TIN/LEAD (Sn/Pb) ON PCB TAILS AND
NICKEL (Ni) OVERALL.
 - THIS PART CONFORMS TO MOLEX
PRODUCT SPECIFICATION PS-74031-999
 - FOR MIXED CONTACT MATING LENGTHS.
CONSULT MOLEX FOR AVAILABILITY.
 - FOR SPECIFIC MATERIAL NUMBERS
AND MATING INFORMATION REFER TO
SHEET 2.
 - PACKAGE PER PK-74058-003.
 - EITHER MARK PARTS WITH PART NUMBER AND DATE CODE
APPROXIMATELY WHERE SHOWN OR PLACE LABEL ON HTE TUBE.

2	G
1	G
SHT	REV
REVISE ON CAD ONLY	

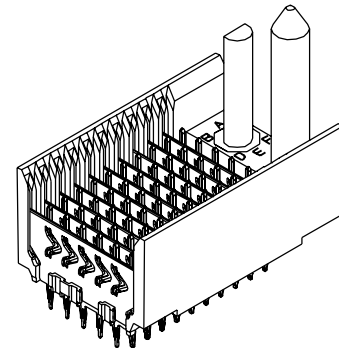
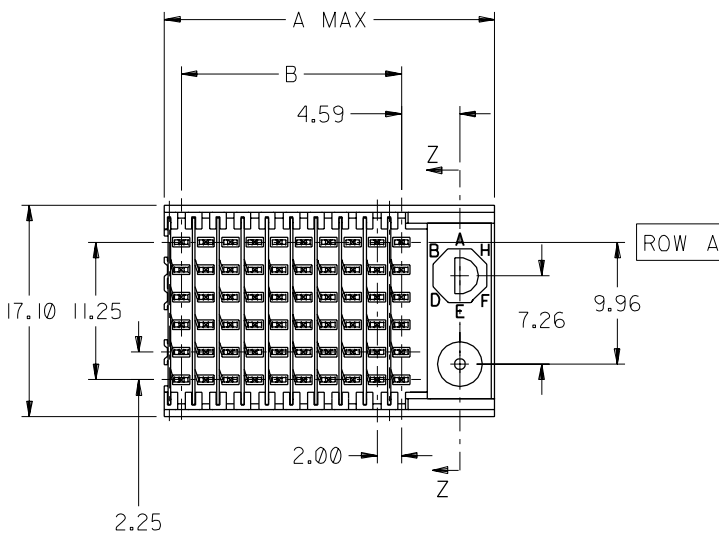
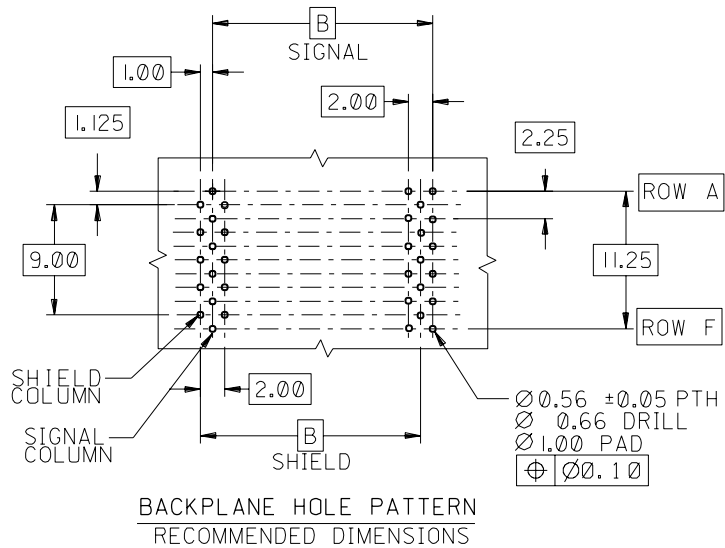
DIMENSIONS:
 mm INCH mm ONLY
 INCH mm

REVISED EC NOLJDT2002-0443 DRWN: MWANG 01/05/10 CHK: NMARTIN 01/09/19 APPR: CBIXLER 01/09/19	QUALITY SYMBOLS MAJOR = 0 CRITICAL = 2 C = 0	GENERAL TOLERANCES: (UNLESS SPECIFIED)		SCALE 2.5:1	DESIGN UNITS <input checked="" type="checkbox"/> mm <input type="checkbox"/> INCH	THIRD ANGLE PROJECTION	DIMENSIONS:		
		mm	INCH	DRAWN BY & DATE	TITLE:				
		4 PLACES ±0. -- ±.		MWANG 11/09/98	VHDM BACKPLANE 6 ROW SIGNAL-PIN END SALES DRAWING				
		3 PLACES ±0. -- ±.		CHECKED BY & DATE	MOLEX INCORPORATED				
		2 PLACES ±0. -- ±.		JLAURX 11/09/98	MATERIAL NO. DRAWING NO. SHEET NO. SEE SHEET 2 SD-74058-002 1 OF 2				
		1 PLACE ±0. -- ±.		APPROVED BY & DATE	THIS DRAWING CONTAINS INFORMATION THAT IS PROPRIETARY TO MOLEX INCORPORATED AND SHOULD NOT BE USED WITHOUT WRITTEN PERMISSION.				
		ANGULAR: ± -- °		CBIXLER 11/09/98	SIZE B				
G	REV	DRAFT WHERE APPLICABLE MUST REMAIN WITHIN DIMENSIONS		CAD FILENAME SD-74058-002.DGN					

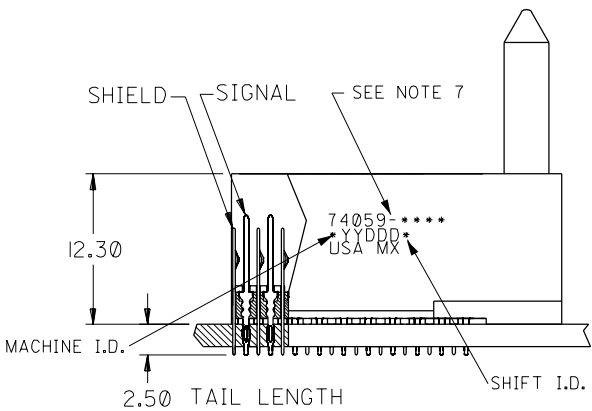
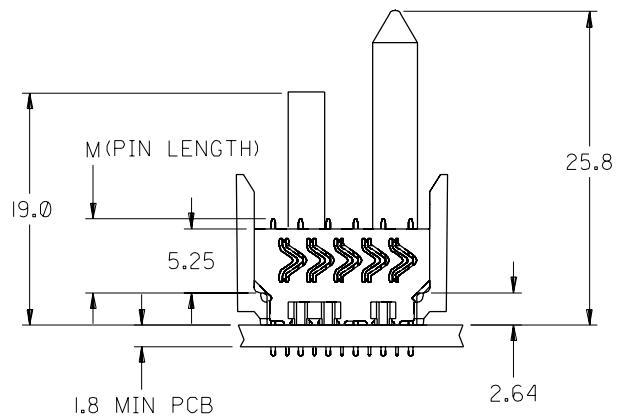


PART NUMBER	COLUMN	NUMBER OF SIGNAL PIN	NUMBER OF SHIELD	A MAX	B	M	Au (um) THICKNESS	Sn/Ph (um) THICKNESS
74058-10*1	10	60	10	27.00	18.00	4.75	0.76	0.38-1.52
74058-10*6							1.27	
74058-25*1	25	150	25	57.00	48.00	6.25	0.76	
74058-25*6							1.27	
74058-10*2	10	60	10	27.00	18.00	6.25	0.76	
74058-10*7							1.27	
74058-25*2	25	150	25	57.00	48.00	4.25	0.76	
74058-25*7							1.27	
74058-10*3	10	60	10	27.00	18.00	5.15	0.76	
74058-10*8							1.27	
74058-25*3	25	150	25	57.00	48.00	6.25	0.76	
74058-25*8							1.27	
74058-10*4	10	60	10	27.00	18.00	4.75	0.76	
74058-10*9							1.27	
74058-25*4	25	150	25	57.00	48.00	6.25	0.76	
74058-25*9							1.27	

REVISED EC NOLJDT2002-0443 DRWN:MWANG 01/09/18 CHK:JLAURX 01/09/18 APPR:CBIXLER 01/09/18	QUALITY SYMBOLS MAJOR = Ø CRITICAL = C	GENERAL TOLERANCES: (UNLESS SPECIFIED)		SCALE 2.5:1	DESIGN UNITS <input checked="" type="checkbox"/> mm <input type="checkbox"/> INCH	THIRD ANGLE PROJECTION	DIMENSIONS: <input type="checkbox"/> mm <input type="checkbox"/> INCH <input checked="" type="checkbox"/> mm ONLY		SHT	REV
		mm	INCH	DRAWN BY & DATE MWANG 11/09/98	TITLE: VHDM BACKPLANE 6 ROW SIGNAL-PIN END SALES DRAWING		REVISE ON CAD ONLY			
G	REV	4 PLACES ±0.--- ±.		CHECKED BY & DATE JLAURX 11/09/98		MATERIAL NO. SEE CHART		DRAWING NO. SD-74058-002	SHEET NO. 2	
		3 PLACES ±0.--- ±.		APPROVED BY & DATE CBIXLER 11/09/98		DRAWING NO. SD-74058-002		SHEET NO. 2		
		2 PLACES ±0.--- ±.		CAD FILENAME SD-74058-002-DGN		THIS DRAWING CONTAINS INFORMATION THAT IS PROPRIETARY TO MOLEX INCORPORATED AND SHOULD NOT BE USED WITHOUT WRITTEN PERMISSION.		SIZE B		
		1 PLACE ±0.--- ±.		ANGULAR: ± -- °						



BACKPLANE HOLE PATTERN
RECOMMENDED DIMENSIONS

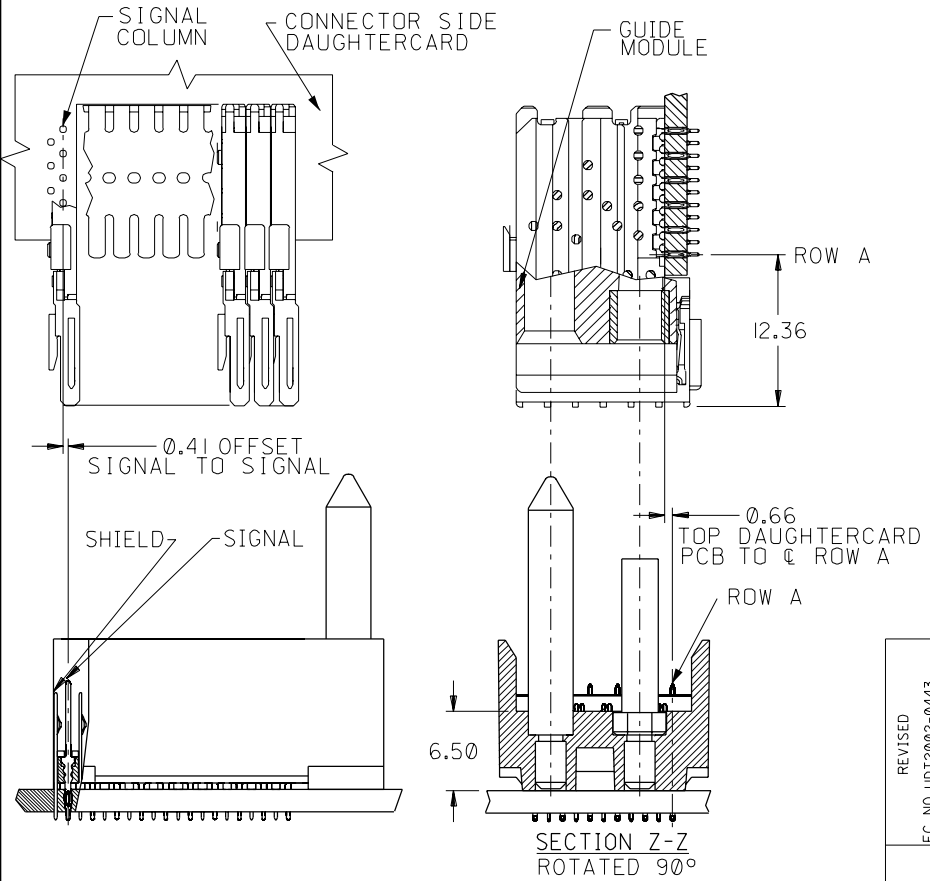
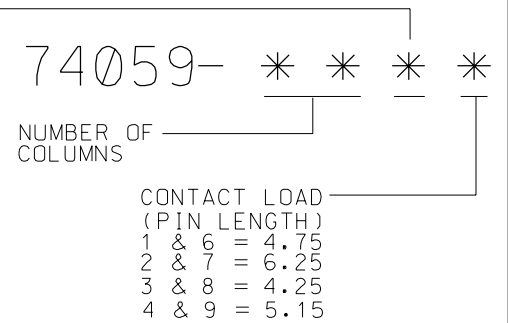
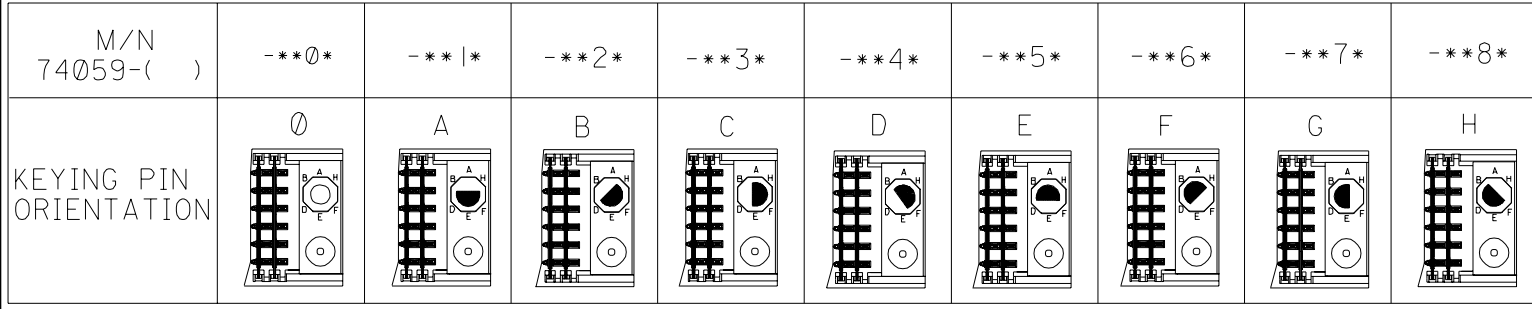


NOTES:

1. MATERIALS:
HOUSING - LIQUID CRYSTAL POLYMER (LCP),
GLASS-FILLED, UL 94V-0, COLOR: BLACK.
SIGNAL PIN & SHIELD - COPPER ALLOY.
2. FINISHES:
SELECTIVE GOLD (Au) IN CONTACT AREA;
SELECTIVE TIN/LEAD (Sn/Pb) ON PCB TAILS AND
NICKEL (Ni) OVERALL.
3. THIS PART CONFORMS TO MOLEX
PRODUCT SPECIFICATION PS-74031-999
4. FOR MIXED CONTACT MATING LENGTHS.
CONSULT MOLEX FOR AVAILABILITY.
5. FOR SPECIFIC MATERIAL NUMBERS
AND MATING INFORMATION REFER TO
SHEET 2.
6. PACKAGE PER PK-74058-003.
7. EITHER MARK PARTS WITH PART NUMBER AND DATE CODE
APPROXIMATELY WHERE SHOWN OR PLACE LABEL ON HTE TUBE.

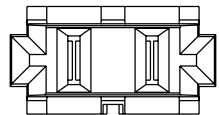
2	G
1	G
SHT	REV
REVISE ON CAD ONLY	

REVISED EC NO. UDT2002-0443 DRWN: MWANG 01/09/18 CHK: NMARTIN 01/09/18 APPR: CBIXLER 01/09/18	QUALITY SYMBOLS MAJOR $\blacktriangledown = 0$ CRITICAL $\blacktriangledown = 0$	GENERAL TOLERANCES: (UNLESS SPECIFIED)		SCALE 2.5:1	DESIGN UNITS <input checked="" type="checkbox"/> mm <input type="checkbox"/> INCH	DIMENSIONS: <input type="checkbox"/> mm <input type="checkbox"/> INCH <input checked="" type="checkbox"/> mm ONLY	THIRD ANGLE PROJECTION	TITLE: VHDM BACKPLANE 6 ROW GROUND-SHIELD END SALES DRAWING	
		4 PLACES ± 0.00	3 PLACES ± 0.00	2 PLACES ± 0.00	1 PLACE ± 0.00	DRAWN BY & DATE MWANG 11/09/98	CHECKED BY & DATE JLAURX 11/09/98	APPROVED BY & DATE CBIXLER 11/09/98	MOLEX INCORPORATED
		ANGULAR: $\pm \text{---}^\circ$				CAD FILENAME SD-74059-002.DGN	MATERIAL NO. SEE SHEET 2	DRAWING NO. SD-74059-002	SHEET NO. 1 OF 2
		DRAFT WHERE APPLICABLE MUST REMAIN WITHIN DIMENSIONS				THIS DRAWING CONTAINS INFORMATION THAT IS PROPRIETARY TO MOLEX INCORPORATED AND SHOULD NOT BE USED WITHOUT WRITTEN PERMISSION.			

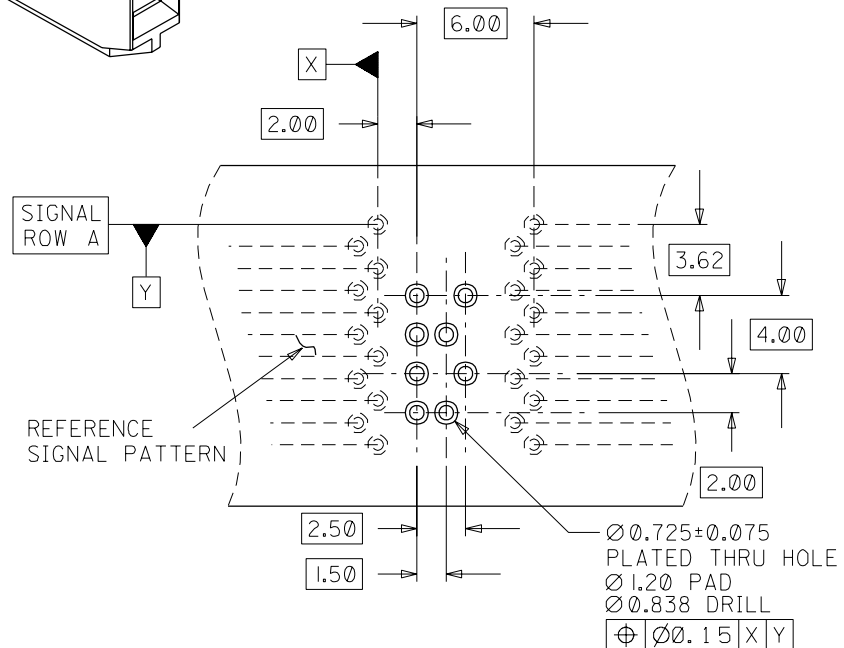
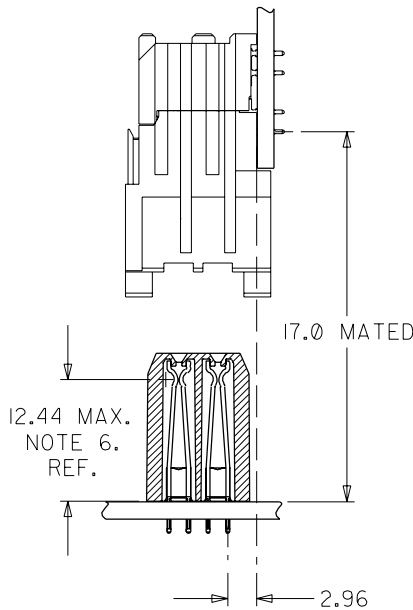
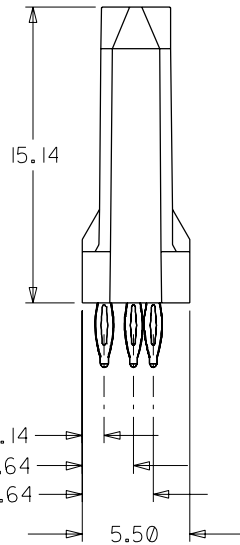
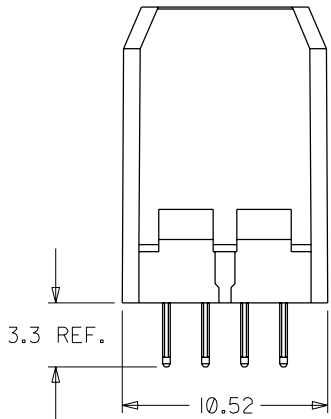
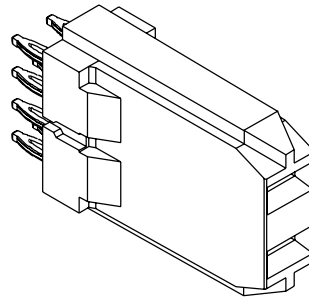


PART NUMBER	COLUMN	NUMBER OF SIGNAL PIN	NUMBER OF SHIELD	A MAX	B	M	Au (um) THICKNESS	Sn/Ph (um) THICKNESS
74059-10*1	10	60	10	27.00	18.00	4.75	0.76	0.38-1.52
74059-10*6							1.27	
74059-25*1	25	150	25	57.00	48.00	6.25	0.76	
74059-25*6							1.27	
74059-10*2	10	60	10	27.00	18.00	6.25	0.76	
74059-10*7							1.27	
74059-25*2	25	150	25	57.00	48.00	5.15	0.76	
74059-25*7							1.27	
74059-10*3	10	60	10	27.00	18.00	4.25	0.76	
74059-10*8							1.27	
74059-25*3	25	150	25	57.00	48.00	5.15	0.76	
74059-25*8							1.27	
74059-10*4	10	60	10	27.00	18.00	5.15	0.76	
74059-10*9							1.27	
74059-25*4	25	150	25	57.00	48.00	5.15	0.76	
74059-25*9							1.27	

REVISED EC NO. LDT2002-0443 DRWN: MWANG 01/09/18 CHK: NMARTIN 01/09/18 APPR: CBIXLER 01/09/18	QUALITY SYMBOLS MAJOR $\blacktriangledown = 0$ CRITICAL $\blacktriangledown = 0$	GENERAL TOLERANCES: (UNLESS SPECIFIED)		SCALE	DESIGN UNITS <input checked="" type="checkbox"/> mm <input type="checkbox"/> INCH	DIMENSIONS: <input type="checkbox"/> mm <input type="checkbox"/> INCH <input checked="" type="checkbox"/> mm ONLY		SHT	REV
		4 PLACES $\pm 0. _ _$	\pm	DRAWN BY & DATE MWANG 11/09/98	THIRD ANGLE PROJECTION		TITLE: VHM BACKPLANE 6 ROW GROUND-SHIELD END SALES DRAWING		REVISION ON CAD ONLY
		3 PLACES $\pm 0. _ _$	\pm	CHECKED BY & DATE JLAURX 11/09/98	MATERIAL NO. SEE CHART		DRAWING NO. SD-74059-002		SHEET NO. 2
		2 PLACES $\pm 0. _ _$	\pm	APPROVED BY & DATE CBIXLER 11/09/98	DRAFT WHERE APPLICABLE MUST REMAIN WITHIN DIMENSIONS		THIS DRAWING CONTAINS INFORMATION THAT IS PROPRIETARY TO MOLEX INCORPORATED AND SHOULD NOT BE USED WITHOUT WRITTEN PERMISSION.		SIZE B
1 PLACE $\pm 0. _ _$	\pm	ANGULAR: $\pm _ _ \circ$	CAD FILENAME SD-74059-002.DGN						



ASSEMBLY #	CONTACT PLATING
74029-6000	SEE NOTE 2.
74029-6050	SEE NOTE 3.



MIN. BOARD THICKNESS: 1.8 mm

NOTES:

SEE NOTE 5.

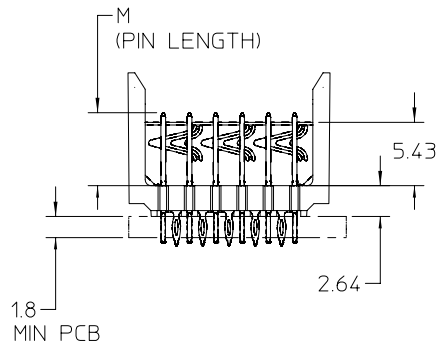
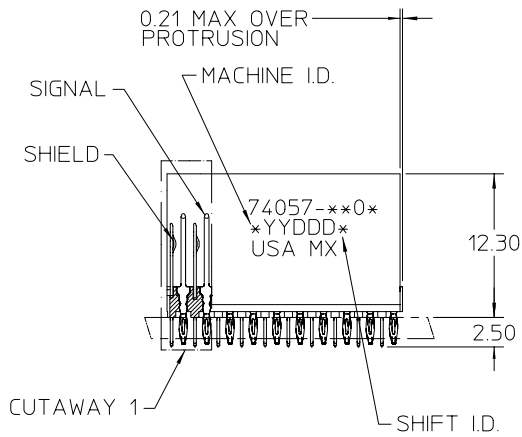
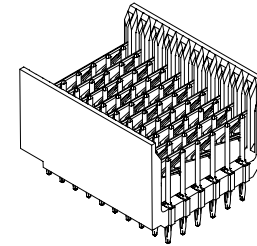
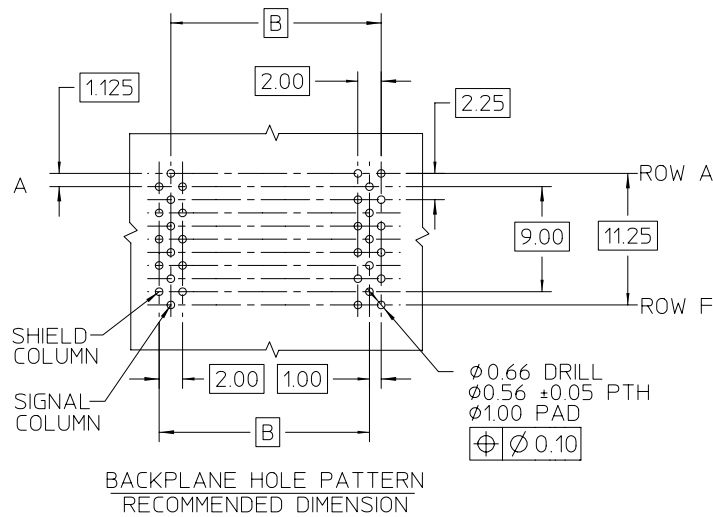
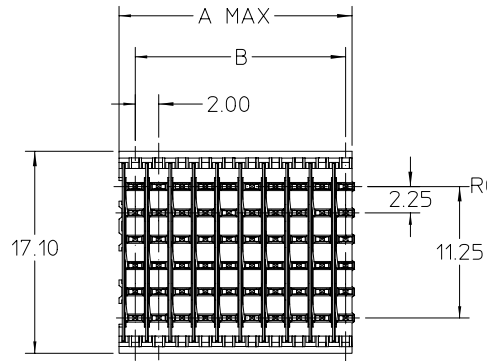
- MATERIALS:
HOUSING - LIQUID CRYSTAL POLYMER (LCP)
UL94 V-0 RATED, COLOR: BLACK
TERMINAL - COPPER ALLOY
- FINISH: 30 microINCH MIN GOLD ON MATING SURFACE;
TIN/LEAD ON TAILS; NICKEL OVERALL.
- FINISH: 50 microINCH MIN GOLD ON MATING SURFACE;
TIN/LEAD ON TAILS; NICKEL OVERALL.
- THIS PART CONFORMS TO PRODUCT SPECIFICATION
PS-74031-999.
- USE 6.00 mm NOMINAL FOR BACKPLANE LAYOUT.
- DIMENSION IS MEASURED FROM BOTTOM OF HOUSING.
- PACKED PER PK-70873-0876.

REV	DESCRIPTION	QUALITY SYMBOLS
E	ADD 50 GOLD	MAJOR =0 CRITICAL C=0

GENERAL TOLERANCES: (UNLESS SPECIFIED)		SCALE	DESIGN UNITS
4 PLACES	±0.1	NONE	mm <input checked="" type="checkbox"/> INCH <input type="checkbox"/>
3 PLACES	±0.2		
2 PLACES	±0.3		
1 PLACE	±0.5		
ANGULAR: ± 5 °			

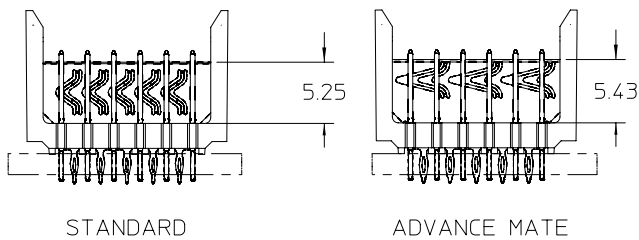
THIRD ANGLE PROJECTION	TITLE:
<input checked="" type="checkbox"/>	VHDM POWER 6 ROW BACKPLANE SALES ASSEMBLY
	MOLEX INCORPORATED

DIMENSIONS:		SHT	REV
<input type="checkbox"/> mm	<input type="checkbox"/> INCH		
<input type="checkbox"/> mm	<input type="checkbox"/> INCH		
<input checked="" type="checkbox"/> mm ONLY			
DRAWN BY & DATE ELO 98/10/15		REVISIONS ON CAD ONLY	
CHECKED BY & DATE BREARLEY 98/10/21			
APPROVED BY & DATE BIXLER 98/10/22			
CAD FILENAME SD-74029-001.S01	MATERIAL NO. SEE CHART	DRAWING NO. SD-74029-001	SHEET NO. 1 OF 1
DRAFT WHERE APPLICABLE MUST REMAIN WITHIN DIMENSIONS		THIS DRAWING CONTAINS INFORMATION THAT IS PROPRIETARY TO MOLEX INCORPORATED AND SHOULD NOT BE USED WITHOUT WRITTEN PERMISSION.	
		SIZE B	



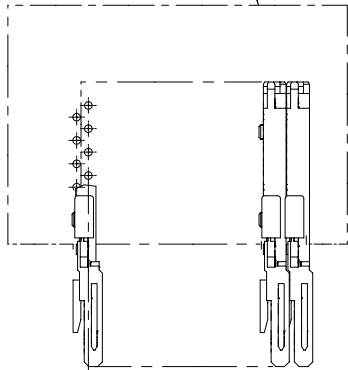
NOTES:

1. MATERIAL: HOUSING -LIQUID CRYSTAL POLYMER (LCP). GLASS-FILLED. UL 94 V-0. COLOR BLACK. SIGNAL & SHIELD -COPPER ALLOY.
2. FINISHES: SELECTIVE GOLD (Au) ON CONTACT AREA. SELECTIVE TIN/LEAD (Sn/Pb) ON TAILS. NICKEL OVERALL.
3. THIS PART CONFORMS TO MOLEX PRODUCT SPECIFICATION PS-74031-999.
4. FOR MIXED CONTACT MATING LENGTHS CONSULT MOLEX FOR AVAILABILITY.
5. FOR SPECIFIC PART NUMBER AND MATING INFORMATION REFER TO SHEET 2.
6. PACKAGE PER: PK-74057-003.
7. EITHER MARK PART NUMBER AND DATE CODE APPROXIMATELY WHERE SHOWN OR PLACE LABEL ON THE TUBE.

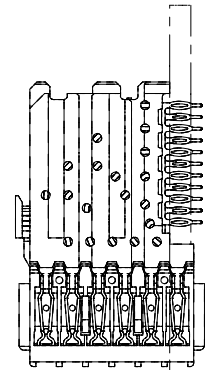


EC NO: UDT2001-1274 DRWN: MWANG 2001/11/05 CHKD: NMARTIN 2001/11/05 APPR: CBIXLER 2001/11/06 A	QUALITY SYMBOLS ▽ - 0 ▽ - 0	GENERAL TOLERANCES (UNLESS SPECIFIED)		SCALE 2.5:1	DESIGN UNITS METRIC	THIRD ANGLE PROJECTION	REVISE ON CAD ONLY
		4 PLACES ± --- ± --- 3 PLACES ± --- ± --- 2 PLACES ± --- ± --- 1 PLACE ± --- ± ---	DIMENSION STYLE MM ONLY	TITLE VHDM SALES ASSEMBLY 6 ROW ADVANCE MATE OPEN END BACKPLANE			
		ANGULAR ±1/2°	DRAWN BY DATE MQWANG 2001/08/20	MOLEX MOLEX INCORPORATED			
		DRAFT WHERE APPLICABLE MUST REMAIN WITHIN DIMENSIONS	CHECKED BY DATE JLAURX 2001/08/22	APPROVED BY DATE CBIXLER 2001/08/22	MATERIAL NO DOCUMENT NO SHEET NO SEE SHEET 2 SD-74057-003 1 OF 2		

DAUGHTERCARD
CONNECTOR SIDE

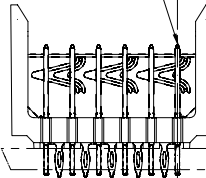


0.41 OFFSET
SIGNAL TO
SIGNAL



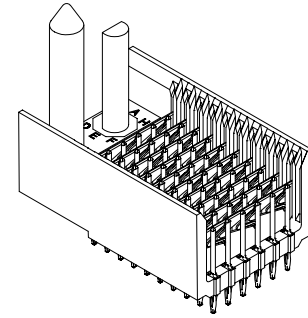
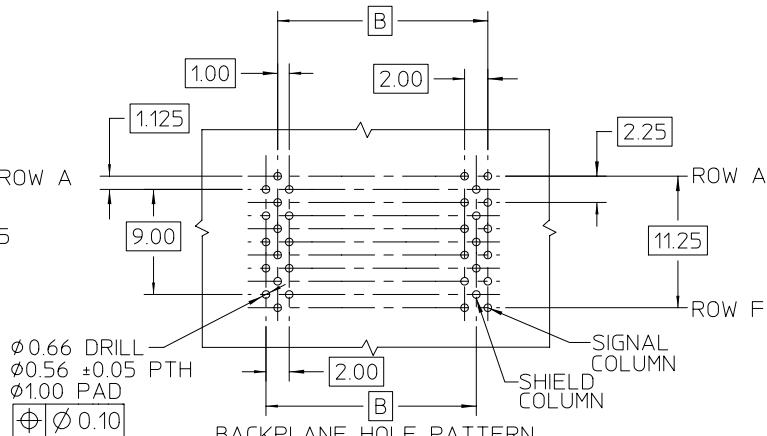
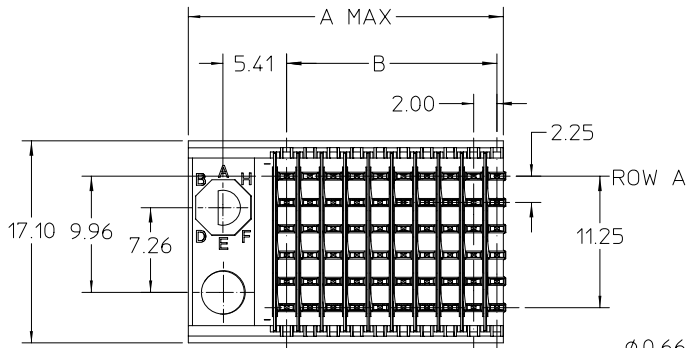
0.66
TOP DAUGHTERCARD
PCB TO CENTER
OF ROW A

ROW A



PART NUMBER	COLUMN	NUMBER OF SIGNAL PINS	NUMBER OF SHIELDS	A MAX	B	M	Au (um) THICKNESS	Sn/Pb (um) THICKNESS
74057-1101	10	60	10	20.00	18.00	4.75	0.76	0.38-152
74057-1106							1.27	
74057-2601	25	150	25	50.00	48.00	6.25	0.76	
74057-2606							1.27	
74057-1102	10	60	10	20.00	18.00	4.25	0.76	
74057-1107							1.27	
74057-2602	25	150	25	50.00	48.00	5.15	0.76	
74057-2607							1.27	
74057-1103	10	60	10	20.00	18.00	4.25	0.76	
74055-1108							1.27	
74057-2603	25	150	25	50.00	48.00	5.15	0.76	
74057-2608							1.27	
74057-1104	10	60	10	20.00	18.00	4.25	0.76	
74057-1109							1.27	
74057-2604	25	150	25	50.00	48.00	5.15	0.76	
74057-2609							1.27	

EC NO: UDT2001-1274 DRWN: MQWANG 2001/11/05 CHKD: NMARTIN 2001/11/05 APPR: CBIXLER 2001/11/06	QUALITY SYMBOLS	GENERAL TOLERANCES (UNLESS SPECIFIED)		SCALE 2.5:1	DESIGN UNITS METRIC	THIRD ANGLE PROJECTION	REVISE ON CAD ONLY	
	▼ = 0 ▽ = 0	mm	INCH	DIMENSION STYLE MM ONLY		TITLE VHDM SALES ASSEMBLY 6 ROW ADVANCE MATE OPEN END BACKPLANE		
		4 PLACES ± --- ± ---	3 PLACES ± --- ± ---	2 PLACES ± --- ± ---	1 PLACE ± --- ± ---	DRAWN BY MQWANG	DATE 2001/08/20	MATERIAL NO SEE TABLE
		ANGULAR ±1/2°		DRAFT WHERE APPLICABLE MUST REMAIN WITHIN DIMENSIONS		CHECKED BY JLAURX	DATE 2001/08/22	
REV A	DESCRIPTION			APPROVED BY CBIXLER	DATE 2001/08/22	SHEET NO 2 OF 2		



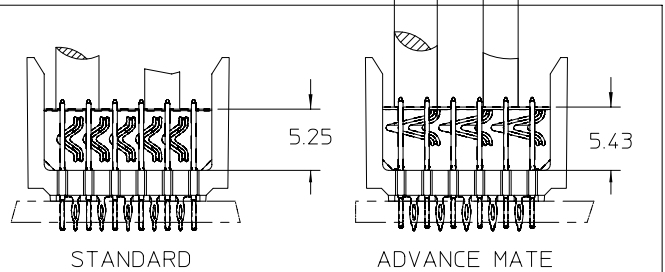
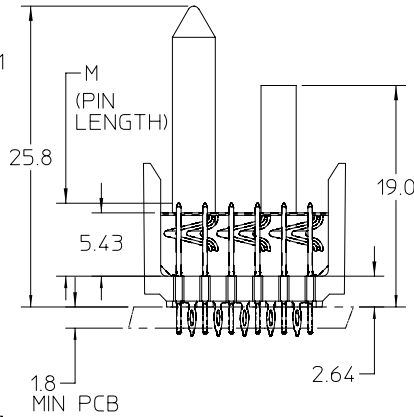
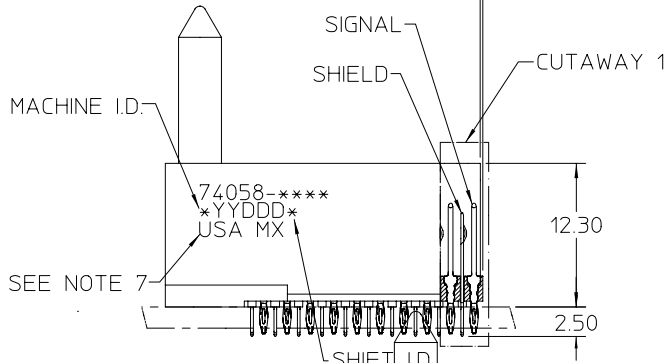
$\varnothing 0.66$ DRILL
 $\varnothing 0.56 \pm 0.05$ PTH
 $\varnothing 1.00$ PAD
 $\varnothing 0.10$

BACKPLANE HOLE PATTERN
RECOMMENDED DIMENSIONS

NOTES:

1. MATERIAL: HOUSING -LIQUID CRYSTAL POLYMER (LCP) GLASS-FILLED. UL 94 V-0. COLOR: BLACK. SIGNAL & SHIELD -COPPER ALLOY.
2. FINISHES: SELECTIVE GOLD (Au) ON CONTACT AREA, SELECTIVE TIN/LEAD (Sn/Pb) ON PCB TAILS, NICKEL OVERALL.
3. THIS PART CONFORMS TO MOLEX PRODUCT SPECIFICATION PS-74031-999.
4. FOR MIXED CONTACT MATING LENGTHS CONSULT MOLEX FOR AVAILABILITY.
5. FOR SPECIFIC PART NUMBER AND MATING INFORMATION REFER TO SHEET 2.
6. PACKAGE PER PK-74058-003.
7. EITHER MARK PART NUMBER AND DATE CODE APPROXIMATELY WHERE SHOWN OR PLACE LABEL ON THE TUBE.

0.21 MAX OVERALL PROTRUSION



EC NO: UDT2001-1274 DRWN: MQWANG 2001/11/05 CHKD: NMARTIN 2001/11/05 APPR: CBIXLER 2001/11/06 DESCRIPTION	QUALITY SYMBOLS	GENERAL TOLERANCES (UNLESS SPECIFIED)	SCALE 2.5:1	DESIGN UNITS METRIC	THIRD ANGLE PROJECTION	REVISE ON CAD ONLY
	$\nabla = 0$ $\sphericalangle = 0$	4 PLACES ± --- ± --- 3 PLACES ± --- ± --- 2 PLACES ± --- ± --- 1 PLACE ± --- ± ---	DIMENSION STYLE MM ONLY DRAWN BY DATE MQWANG 2001/08/20 CHECKED BY DATE JLAURX 2001/08/22	TITLE VHDM SALES ASSEMBLY 6 ROW ADVANCE MATE SIGNAL END BACKPLANE		
		ANGULAR ±1/2° DRAFT WHERE APPLICABLE MUST REMAIN WITHIN DIMENSIONS	APPROVED BY DATE CBIXLER 2001/08/22	MATERIAL NO SEE SHEET 2	DOCUMENT NO SD-74058-003	SHEET NO 1 OF 2
	THIS DRAWING CONTAINS INFORMATION THAT IS PROPRIETARY TO MOLEX INCORPORATED AND SHOULD NOT BE USED WITHOUT WRITTEN PERMISSION					

10 9 8 7 6 5 4 3 2 74058

F
E
D
C
B
A

A
B
C
D
E
F

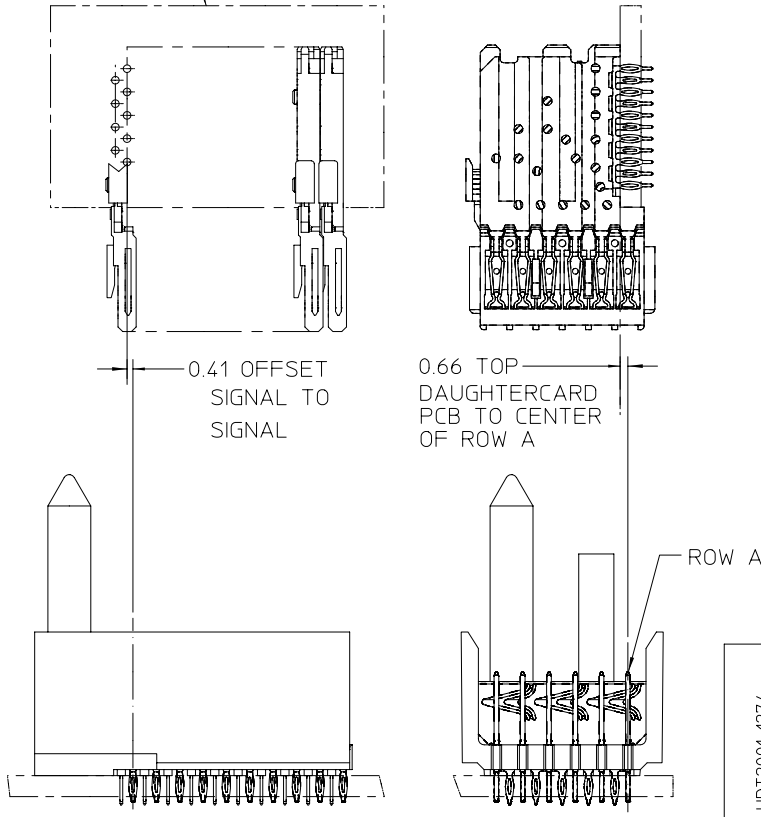
P/N 74058-()	-**0*	-**1*	-**2*	-**3*	-**4*	-**5*	-**6*	-**7*	-**8*
KEYING PIN ORIENTATION	0	A	B	C	D	E	F	G	H

74058-***

COLUMN CODE
11 OR 26

CONTACT LOAD
(PIN LENGTH)
1 & 6 = 4.75
2 & 7 = 6.25
3 & 8 = 4.25
4 & 9 = 5.15

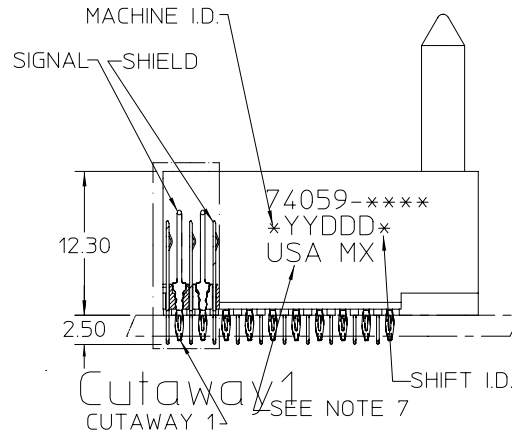
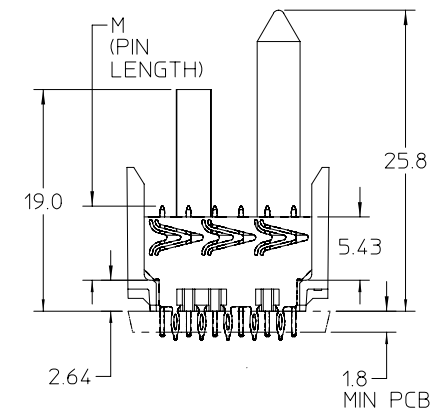
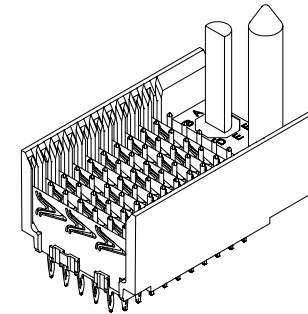
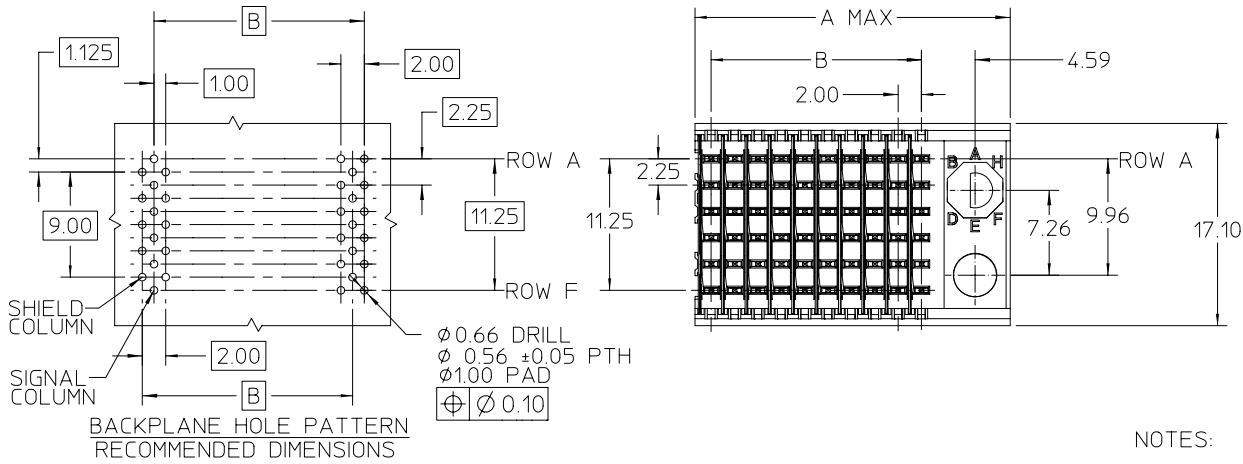
DAUGHTERCARD
CONNECTOR SIDE



PART NUMBER	COLUMN	NUMBER OF SIGNAL PINS	NUMBER OF SHIELDS	A MAX	B	M	Au (um) MIN THICKNESS	Sn/Pb (um) MIN THICKNESS
74058-11*1	10	60	10	27.00	18.00	4.75	0.76	0.38-152
74058-11*6							1.27	
74058-26*1	25	150	25	57.00	48.00	6.25	0.76	
74058-26*6							1.27	
74058-11*2	10	60	10	27.00	18.00	4.25	0.76	
74058-11*7							1.27	
74058-26*2	25	150	25	57.00	48.00	5.15	0.76	
74058-26*7							1.27	
74058-11*3	10	60	10	27.00	18.00	4.25	0.76	
74058-11*8							1.27	
74058-26*3	25	150	25	57.00	48.00	5.15	0.76	
74058-26*8							1.27	
74058-11*4	10	60	10	27.00	18.00	5.15	0.76	
74058-11*9							1.27	
74058-26*4	25	150	25	57.00	48.00	5.15	0.76	
74058-26*9							1.27	

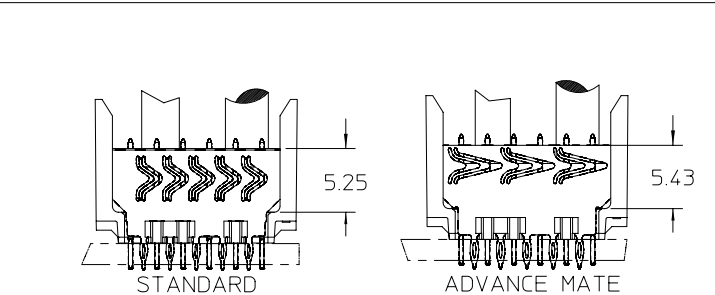
EC NO: UDT2001-1274 DRWN: MQWANG 2001/11/05 CHKD: NMARTIN 2001/11/05 APPR: CBIXLER 2001/11/06	QUALITY SYMBOLS	GENERAL TOLERANCES (UNLESS SPECIFIED)	SCALE 2.5:1	DESIGN UNITS METRIC	THIRD ANGLE PROJECTION	REVISE ON CAD ONLY
	▽ 0	4 PLACES ± --- ± ---	mm INCH	DIMENSION STYLE MM ONLY	TITLE	
	▽ 0	3 PLACES ± --- ± ---		DRAWN BY DATE	VHDM SALES ASSEMBLY	
		2 PLACES ± --- ± ---		MQWANG 2001/08/20	6 ROW ADVANCE MATE	
	1 PLACE ± --- ± ---	ANGULAR ±1/2°	CHECKED BY DATE	SIGNAL END BACKPLANE		
		DRAFT WHERE APPLICABLE MUST REMAIN WITHIN DIMENSIONS	JLAURX 2001/08/22	MOLEX INCORPORATED		
			APPROVED BY DATE	MATERIAL NO	DOCUMENT NO	SHEET NO
			CBIXLER 2001/08/22	SEE TABLE	SD-74058-003	2 OF 2
			THIS DRAWING CONTAINS INFORMATION THAT IS PROPRIETARY TO MOLEX INCORPORATED AND SHOULD NOT BE USED WITHOUT WRITTEN PERMISSION			

9 8 7 6 5 4 3 2 1



NOTES:

1. MATERIAL: HOUSING -LIQUID CRYSTAL POLYMER (LCP)
GLASS-FILLED: UL 94 V-0.COLOR: BLACK.
SIGNAL & SHIELD -COPPER ALLOY.
2. FINISHES: SELCTIVE GOLD (Au) ON CONTACT AREA, SELCTIVE TIN/LEAD (Sn/Pb) ON TAILS, NICKEL OVERALL.
3. THIS PART CONFORMS TO MOLEX PRODUCT SPECIFICATION PS-74031-999.
4. FOR MIXED CONTACT MATING LENGTHS CONSULT MOLEX FOR AVAILABILITY.
5. FOR SPECIFIC PART NUMBER AND MATING INFORMATION REFER TO SHEET 2.
6. PACKAGE PER PK-74058-003.
7. EITHER MARK PART NUMBER AND DATE CODE APPROXIMATELY WHERE SHOWN OR PLACE LABEL ON THE TUBE.



EC NO: UDT2001-1274 DRWN: MWANG 2001/11/05 CHKD: NMARTIN 2001/11/05 APPR: CBIXLER 2001/11/06	QUALITY SYMBOLS ▽ 0 ▽ 0	GENERAL TOLERANCES (UNLESS SPECIFIED)		SCALE 2.5:1	DESIGN UNITS METRIC	THIRD ANGLE PROJECTION	REVISE ON CAD ONLY
		4 PLACES ± --- ± --- 3 PLACES ± --- ± --- 2 PLACES ± --- ± --- 1 PLACE ± --- ± ---	DIMENSION STYLE MM ONLY	TITLE VHDM SALES ASSEMBLY 6 ROW ADVANCE MATE SHIELD END BACKPLANE			
DESCRIPTION A	DRAFT WHERE APPLICABLE MUST REMAIN WITHIN DIMENSIONS		ANGULAR ±1/2°		DRAWN BY MWANG DATE 2001/10/01	CHECKED BY NMARTIN DATE 2001/10/02	MOLEX INCORPORATED
			APPROVED BY CBIXLER DATE 2001/10/02	MATERIAL NO SEE SHEET 2	DOCUMENT NO SD-74059-003	SHEET NO 1 OF 2	THIS DRAWING CONTAINS INFORMATION THAT IS PROPRIETARY TO MOLEX INCORPORATED AND SHOULD NOT BE USED WITHOUT WRITTEN PERMISSION

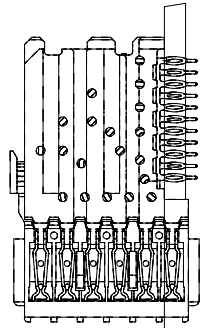
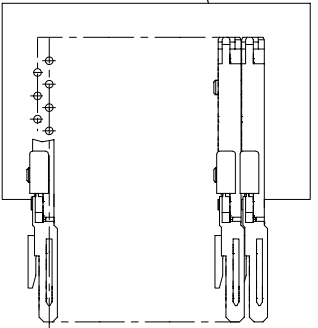
P/N 74059-()	-**0*	-**1*	-**2*	-**3*	-**4*	-**5*	-**6*	-**7*	-**8*
KEYING PIN ORIENTATION	0	A	B	C	D	E	F	G	H

74059-****

COLUMN CODE
11 OR 26

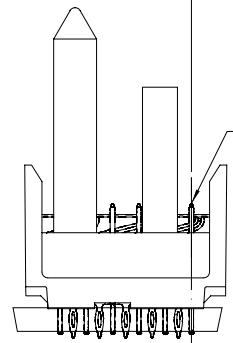
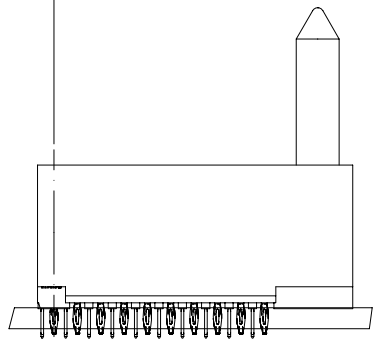
CONTACT LOAD
(PIN LENGTH)
1 & 6 = 4.75
2 & 7 = 6.25
3 & 8 = 4.25
4 & 9 = 5.15

DAUGHTERCARD
CONNECTOR SIDE



0.41 OFFSET
SIGNAL TO
SIGNAL

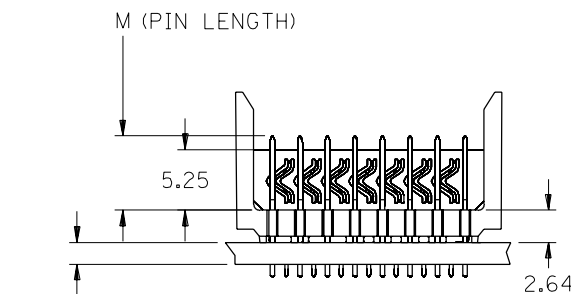
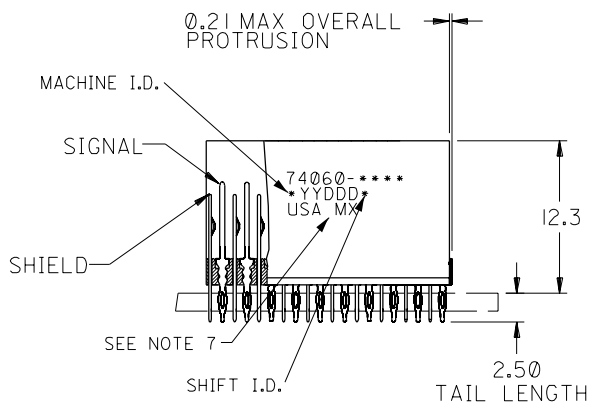
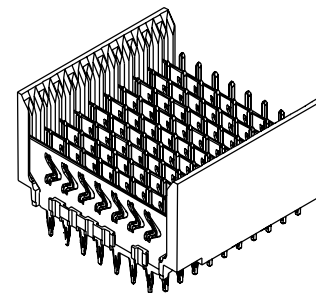
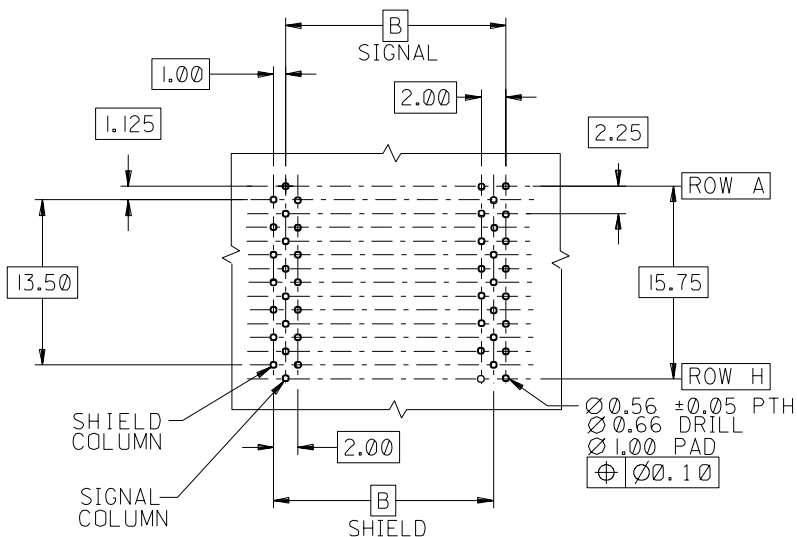
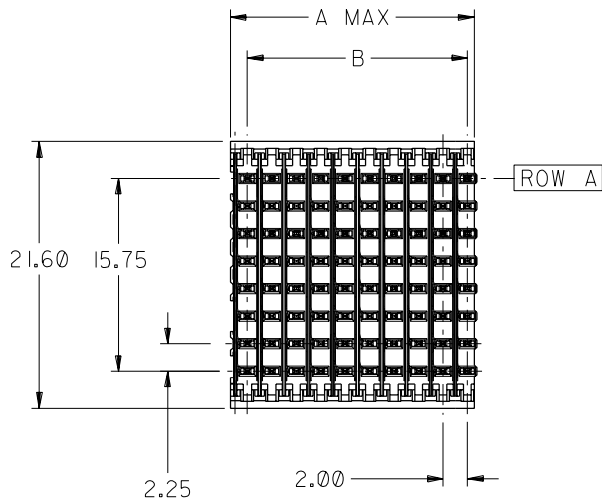
0.66 TOP
DAUGHTERCARD
PCB TO CENTER
OF ROW A



ROW A

PART NUMBER	COLUMN	NUMBER OF SIGNALS	NUMBER OF SHIELDS	A MAX	B	M	Au (um) MIN THICKNESS	Sn/Pb (um) MIN THICKNESS
74059-11*1	10	60	10	27.00	18.00	4.75	0.76	0.38-152
74059-11*6							1.27	
74059-26*1	25	150	25	57.00	48.00	6.25	0.76	
74059-26*6							1.27	
74059-11*2	10	60	10	27.00	18.00	4.25	0.76	
74059-11*7							1.27	
74059-26*2	25	150	25	57.00	48.00	5.15	0.76	
74059-26*7							1.27	
74059-11*3	10	60	10	27.00	18.00	4.25	0.76	
74059-11*8							1.27	
74059-26*3	25	150	25	57.00	48.00	5.15	0.76	
74059-26*8							1.27	
74059-11*4	10	60	10	27.00	18.00	5.15	0.76	
74059-11*9							1.27	
74059-26*4	25	150	25	57.00	48.00	5.15	0.76	
74059-26*9							1.27	

EC NO: UDT2001-1274 DRWN: MQWANG 2001/11/05 CHKD: NMARTIN 2001/11/05 APPR: CBIXLER 2001/11/06	QUALITY SYMBOLS ▽ - 0 ▽ - 0	GENERAL TOLERANCES (UNLESS SPECIFIED)		SCALE 2.5:1	DESIGN UNITS METRIC	THIRD ANGLE PROJECTION	REVISE ON CAD ONLY
		DIMENSION STYLE MM ONLY		TITLE VHDM SALES ASSEMBLY 6 ROW ADVANCE MATE SHIELD END BACKPLANE			
		DRAFT WHERE APPLICABLE MUST REMAIN WITHIN DIMENSIONS		MOLEX INCORPORATED			
		SHEET NO. 2 OF 2					



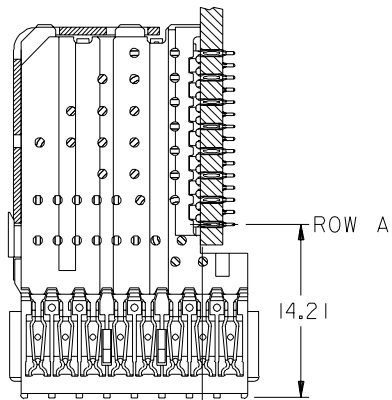
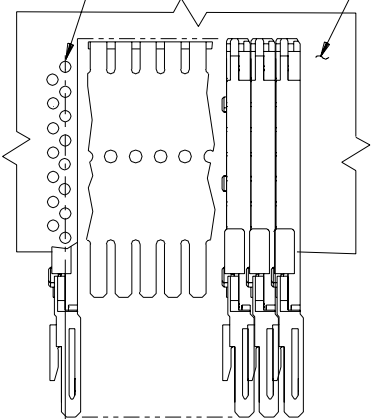
NOTES:

- MATERIALS:
HOUSING - LIQUID CRYSTAL POLYMER (LCP), GLASS-FILLED, UL 94V-0, COLOR: BLACK.
SIGNAL PIN & SHIELD - COPPER ALLOY.
- FINISHES:
SELECTIVE GOLD (Au) IN CONTACT AREA;
SELECTIVE TIN/LEAD (Sn/Pb) ON PCB TAILS AND NICKEL (Ni) OVERALL.
- THIS PART CONFORMS TO MOLEX PRODUCT SPECIFICATION PS-74031-999
- FOR MIXED CONTACT MATING LENGTHS. CONSULT MOLEX FOR AVAILABILITY.
- FOR SPECIFIC MATERIAL NUMBERS AND MATING INFORMATION REFER TO SHEET 2.
- PACKAGE PER PK-74060-003.
- EITHER MARK PARTS WITH PART NUMBER AND DATE CODE APPROXIMATELY WHERE SHOWN OR PLACE LABEL ON HTE TUBE.

I	G
I	G
SHT	REV
REVISE ON CAD ONLY	

REVISED EC NO. LUT2000-0443 DRWN: MWANG 01/09/18 CHK: NMARTIN 01/09/19 APPR: CBIXLER 01/09/19	QUALITY SYMBOLS MAJOR CRITICAL	GENERAL TOLERANCES: (UNLESS SPECIFIED)		SCALE 2.5:1	DESIGN UNITS <input checked="" type="checkbox"/> mm <input type="checkbox"/> INCH	THIRD ANGLE PROJECTION	DIMENSIONS: <input type="checkbox"/> mm <input type="checkbox"/> INCH <input checked="" type="checkbox"/> mm ONLY		SHEET NO. 1 OF 2	
		mm	INCH	DRAWN BY & DATE MWANG 11/09/98	TITLE: VHDM BACKPLANE 8 ROW OPEN ENDS SALES DRAWING		MATERIAL NO. SEE SHEET 2		DRAWING NO. SD-74060-002	
G	REV	4 PLACES ±0.--- ±.		CHECKED BY & DATE JLAURX 11/09/98		APPROVED BY & DATE CBIXLER 11/09/98		MOLEX MOLEX INCORPORATED		THIS DRAWING CONTAINS INFORMATION THAT IS PROPRIETARY TO MOLEX INCORPORATED AND SHOULD NOT BE USED WITHOUT WRITTEN PERMISSION.
		3 PLACES ±0.--- ±.		APPROVED BY & DATE CBIXLER 11/09/98		CAD FILENAME SD-74060-002.DGN		SIZE B		
ANGULAR: ± --- °		DRAFT WHERE APPLICABLE MUST REMAIN WITHIN DIMENSIONS								

SIGNAL COLUMN
DAUGHTERCARD CONNECTOR SIDE

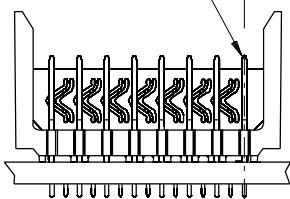
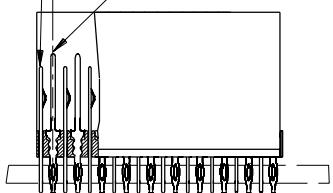


0.41 OFFSET
SIGNAL TO SIGNAL

2.45
TOP DAUGHTERCARD PCB
TO ϕ ROW A

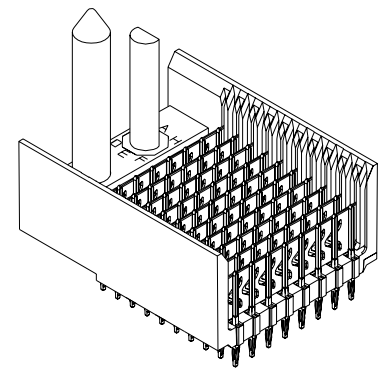
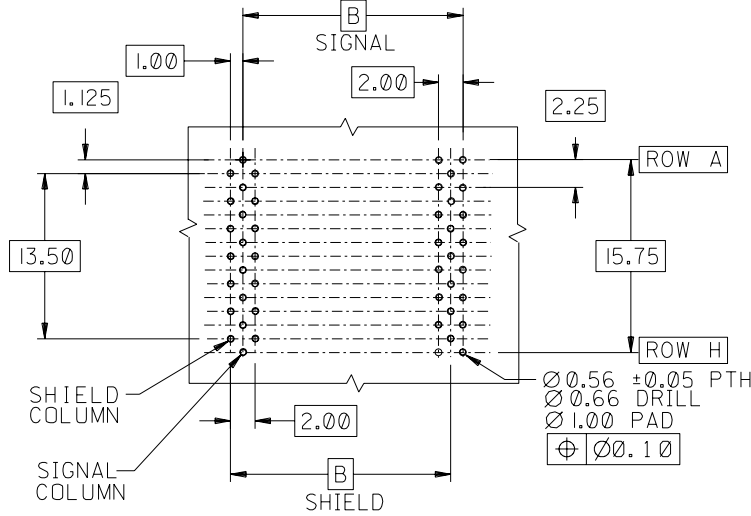
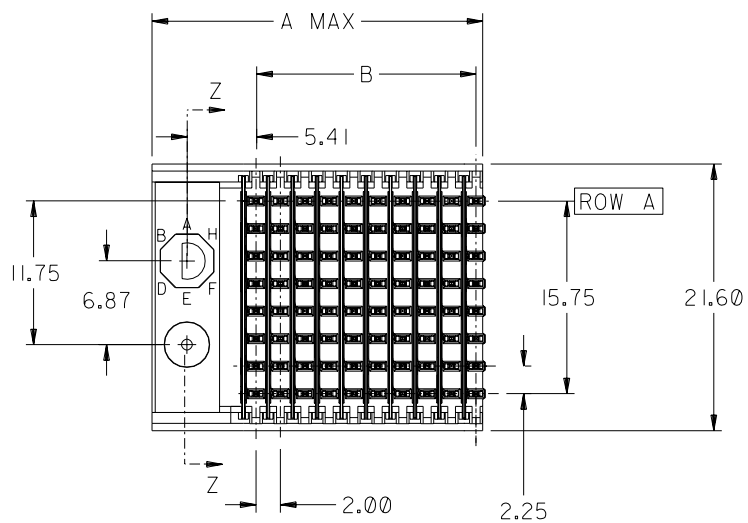
SHIELD
SIGNAL

ROW A

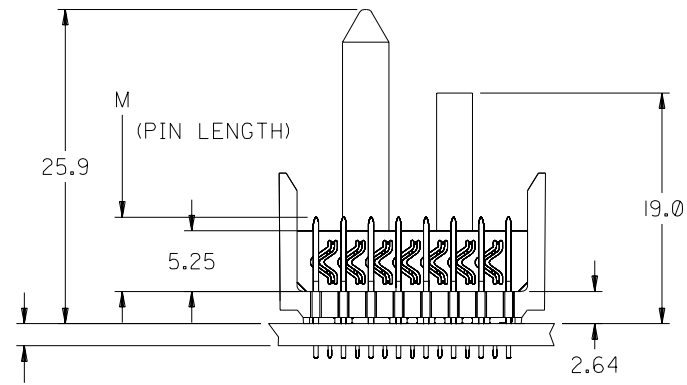
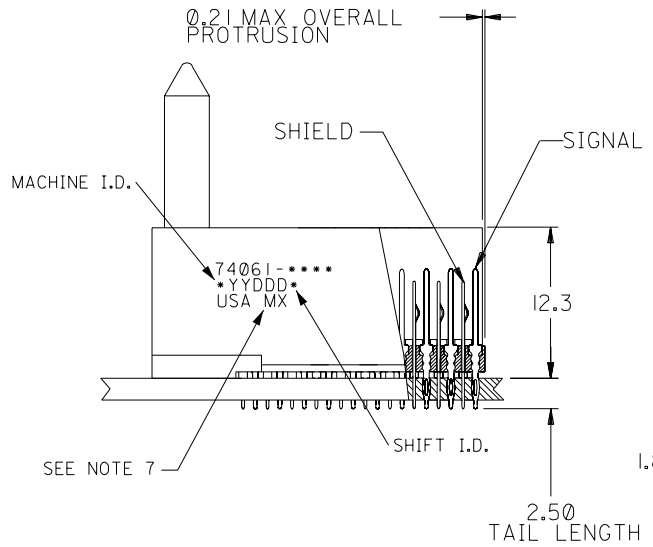


PART NUMBER	COLUMN	NUMBER OF SIGNAL PIN	NUMBER OF SHIELD	A MAX	B	M	Au (μ m) THICKNESS	Sn/Ph (μ m) THICKNESS
74060-1001	10	80	10	20.00	18.00	4.75	0.76	0.38-1.52
74060-1006							1.27	
74060-2501	25	200	25	50.00	48.00		0.76	
74060-2506							1.27	
74060-1002	10	80	10	20.00	18.00	6.25	0.76	
74060-1007							1.27	
74060-2502	25	200	25	50.00	48.00		0.76	
74060-2507							1.27	
74060-1003	10	80	10	20.00	18.00	4.25	0.76	
74060-1008							1.27	
74060-2503	25	200	25	50.00	48.00		0.76	
74060-2508							1.27	
74060-1004	10	80	10	20.00	18.00	5.15	0.76	
74060-1009							1.27	
74060-2504	25	200	25	50.00	48.00		0.76	
74060-2509							1.27	

REVISED EC NO. LUT2002-0443 DRWN: MWANG 01/09/18 CHK: NMARTIN 01/09/19 APPR: CBIXLER 01/09/19 G	QUALITY SYMBOLS MAJOR $\blacktriangledown = 0$ CRITICAL $\blacktriangledown C = 0$	GENERAL TOLERANCES: (UNLESS SPECIFIED)		SCALE	DESIGN UNITS <input checked="" type="checkbox"/> mm <input type="checkbox"/> INCH	DIMENSIONS: <input type="checkbox"/> mm <input type="checkbox"/> INCH <input checked="" type="checkbox"/> mm ONLY	SHT REV	
		4 PLACES $\pm 0. --$ $\pm.$	mm INCH	DRAWN BY & DATE MWANG 11/09/98	THIRD ANGLE PROJECTION		TITLE: VHDM BACKPLANE 8 ROW OPEN ENDS SALES DRAWING	
		3 PLACES $\pm 0. --$ $\pm.$	mm INCH	CHECKED BY & DATE JLAURX 11/09/98	MOLEX INCORPORATED		SHEET NO. 2	
		2 PLACES $\pm 0. --$ $\pm.$	mm INCH	APPROVED BY & DATE CBIXLER 11/09/98	CAD FILENAME SD-74060-002.DGN	MATERIAL NO. SEE CHART	DRAWING NO. SD-74060-002	SIZE B
1 PLACE $\pm 0. --$ $\pm.$		ANGULAR: $\pm -- \text{ }^\circ$		DRAFT WHERE APPLICABLE MUST REMAIN WITHIN DIMENSIONS			THIS DRAWING CONTAINS INFORMATION THAT IS PROPRIETARY TO MOLEX INCORPORATED AND SHOULD NOT BE USED WITHOUT WRITTEN PERMISSION.	



BACKPLANE HOLE PATTERN
RECOMMENDED DIMENSION



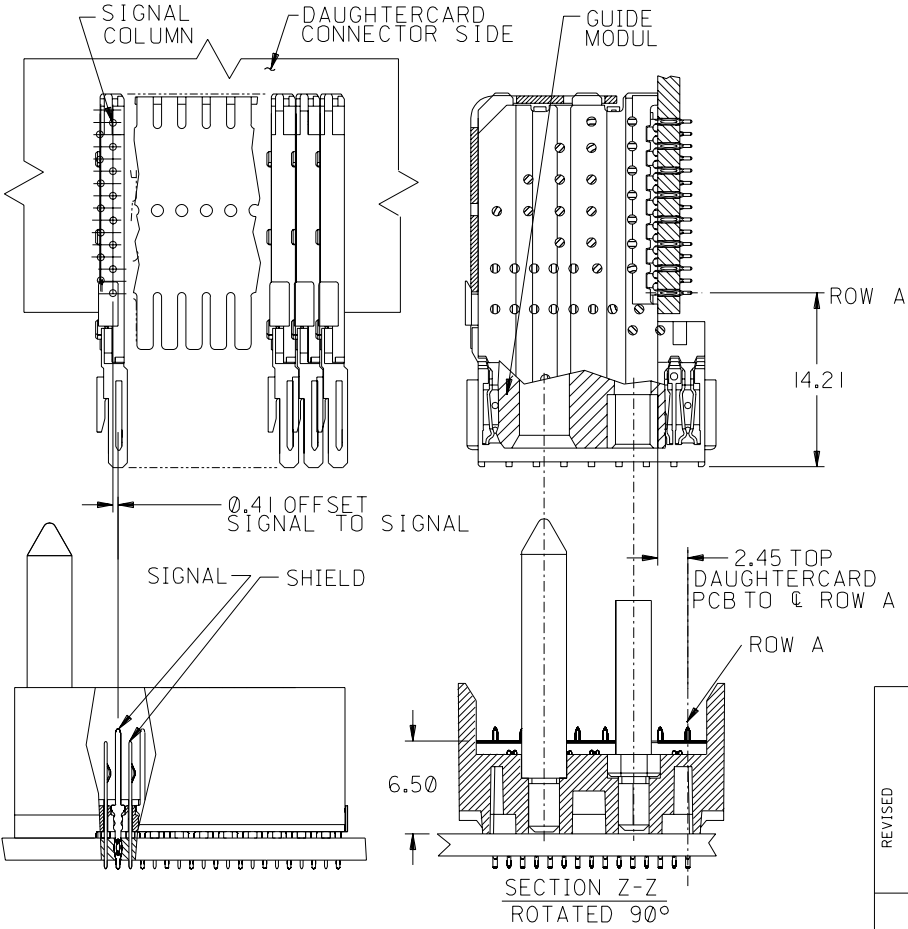
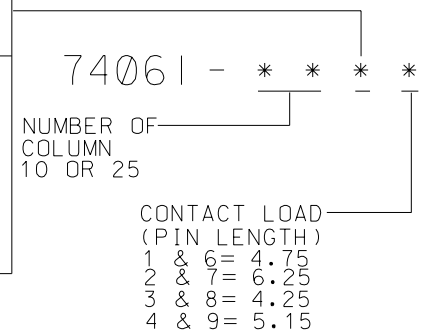
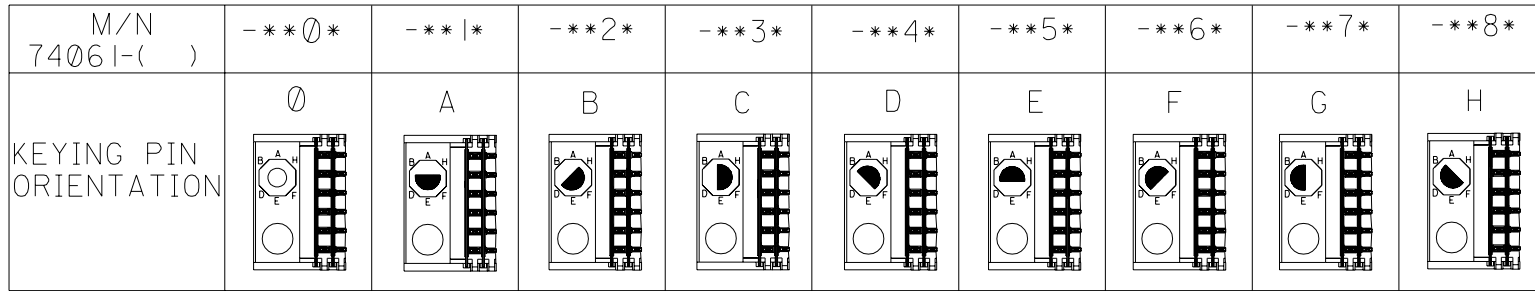
NOTES:

- MATERIALS:
HOUSING - LIQUID CRYSTAL POLYMER (LCP),
GLASS-FILLED, UL 94V-0, COLOR: BLACK.
SIGNAL PIN & SHIELD - COPPER ALLOY.
- FINISHES:
SELECTIVE GOLD (Au) ON CONTACT AREA;
SELECTIVE TIN/LEAD (Sn/Pb) ON PCB TAILS AND
NICKEL (Ni) OVERALL.
- THIS PART CONFORMS TO MOLEX
PRODUCT SPECIFICATION PS-74031-999
- FOR MIXED CONTACT MATING LENGTHS.
CONSULT MOLEX FOR AVAILABILITY.
- FOR SPECIFIC MATERIAL NUMBERS
AND MATING INFORMATION REFER TO
SHEET 2.
- PACKAGE PER PK-74061-003.
- EITHER MARK PARTS WITH PART NUMBER AND DATE CODE
APPROXIMATELY WHERE SHOWN OR PLACE LABEL ON
HTE TUBE.

2	H
I	H
SHT	REV
REVISE ON CAD ONLY	

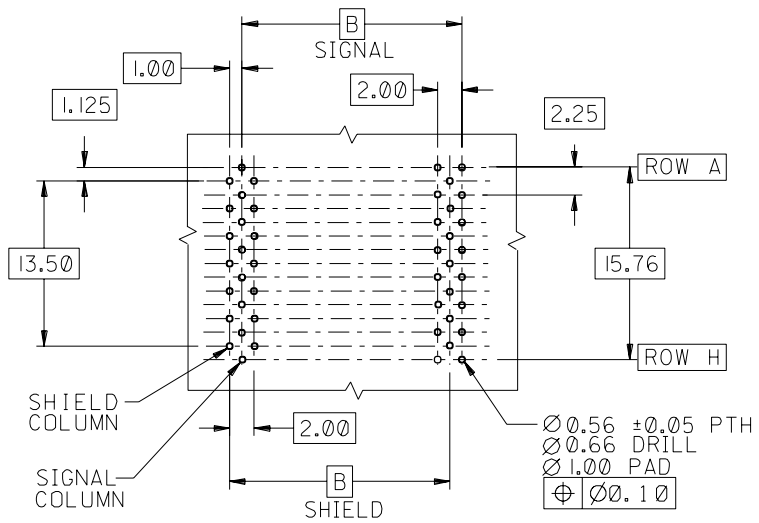
DIMENSIONS:		
<input type="checkbox"/> mm	<input type="checkbox"/> INCH	<input checked="" type="checkbox"/> mm ONLY

REVISED EC NO. UCP 2003-0370 DRWN: MARTIN 02/08/28 CHK: JLAURX 02/08/28 APPR: CBIXLER 02/08/28	QUALITY SYMBOLS MAJOR $\nabla = 0$ CRITICAL $\nabla C = 0$	GENERAL TOLERANCES: (UNLESS SPECIFIED): mm INCH 4 PLACES ± 0.00 ±. 3 PLACES ± 0.00 ±. 2 PLACES ± 0.00 ±. 1 PLACE ± 0.00 ±. ANGULAR: $\pm \text{---}^\circ$	SCALE 2.5:1 DESIGN UNITS <input checked="" type="checkbox"/> mm <input type="checkbox"/> INCH THIRD ANGLE PROJECTION	DESIGN BY & DATE MWANG 11/09/98 CHECKED BY & DATE JLAURX 11/09/98 APPROVED BY & DATE CBIXLER 11/09/98 CAD FILENAME SD-74061-002.DGN	TITLE: VHDM BACKPLANE 8 ROW SIGNAL-PIN END SALES DRAWING MOLEX INCORPORATED	MATERIAL NO. SEE SHEET 2	DRAWING NO. SD-74061-002	SHEET NO. 1 OF 2
	DRAFT WHERE APPLICABLE MUST REMAIN WITHIN DIMENSIONS	THIS DRAWING CONTAINS INFORMATION THAT IS PROPRIETARY TO MOLEX INCORPORATED AND SHOULD NOT BE USED WITHOUT WRITTEN PERMISSION.			SIZE B			

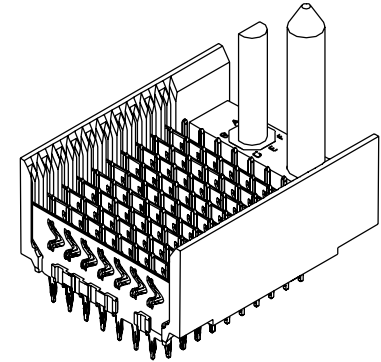
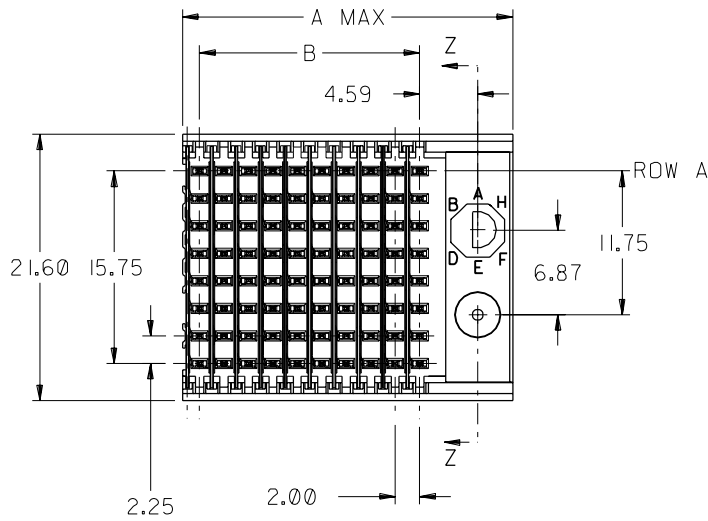
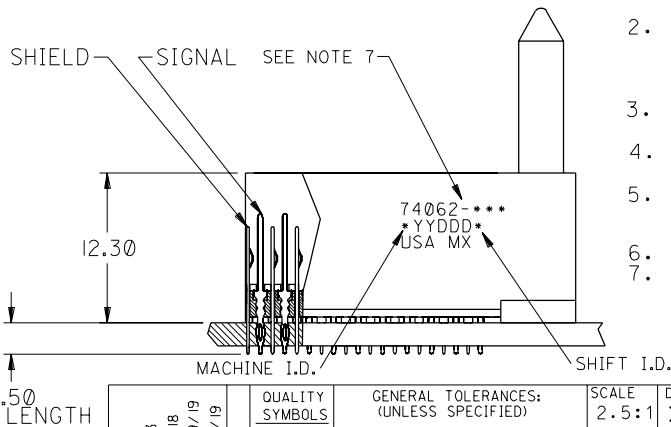
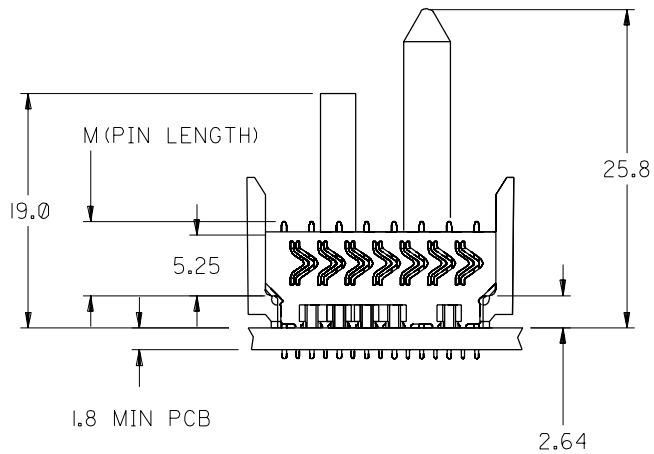


PART NUMBER	COLUMN	NUMBER OF SIGNAL PIN	NUMBER OF SHIELD	A MAX	B	M	Au (um) THICKNESS	Sn/Ph (um) THICKNESS
74061-10*1	10	80	10	27.00	18.00	4.75	0.76	0.38-1.52
74061-10*6							1.27	
74061-25*1	25	200	25	57.00	48.00	6.25	0.76	
74061-25*6							1.27	
74061-10*2	10	80	10	27.00	18.00	6.25	0.76	
74061-10*7							1.27	
74061-25*2	25	200	25	57.00	48.00	4.25	0.76	
74061-25*7							1.27	
74061-10*3	10	80	10	27.00	18.00	5.15	0.76	
74061-10*8							1.27	
74061-25*3	25	200	25	57.00	48.00	5.15	0.76	
74061-25*8							1.27	
74061-10*4	10	80	10	27.00	18.00	5.15	0.76	
74061-10*9							1.27	
74061-25*4	25	200	25	57.00	48.00	5.15	0.76	
74061-25*9							1.27	

REVISED EC NO. UCP 2003-0370 DRWN: MARTIN 02/08/28 CHK: JLAURX 02/08/28 APPR: CBIXLER 02/08/28	QUALITY SYMBOLS MAJOR CRITICAL	GENERAL TOLERANCES: (UNLESS SPECIFIED)		SCALE 2.5:1	DESIGN UNITS <input checked="" type="checkbox"/> mm <input type="checkbox"/> INCH	THIRD ANGLE PROJECTION	DIMENSIONS: <input type="checkbox"/> mm <input type="checkbox"/> INCH <input checked="" type="checkbox"/> mm ONLY	SHT	REV
		mm	INCH	DRAWN BY & DATE MWANG 11/09/98		TITLE: VHDM BACKPLANE 8 ROW SIGNAL-PIN END SALES DRAWING			
		4 PLACES ±0.--- ±.		CHECKED BY & DATE JLAURX 11/09/98		APPROVED BY & DATE CBIXLER 11/09/98			
		3 PLACES ±0.--- ±.		APPROVED BY & DATE CBIXLER 11/09/98		MATERIAL NO. SEE SHEET 2			
2 PLACES ±0.--- ±.		APPROVED BY & DATE CBIXLER 11/09/98		CAD FILENAME SD-74061-002.DGN		DRAWING NO. SD-74061-002		SHEET NO. 2	
1 PLACE ±0.--- ±.		ANGULAR: ± --- °		DRAFT WHERE APPLICABLE MUST REMAIN WITHIN DIMENSIONS		THIS DRAWING CONTAINS INFORMATION THAT IS PROPRIETARY TO MOLEX INCORPORATED AND SHOULD NOT BE USED WITHOUT WRITTEN PERMISSION.			
H		REV		SIZE B					



BACKPLANE HOLE PATTERN
RECOMMENDED DIMENSION

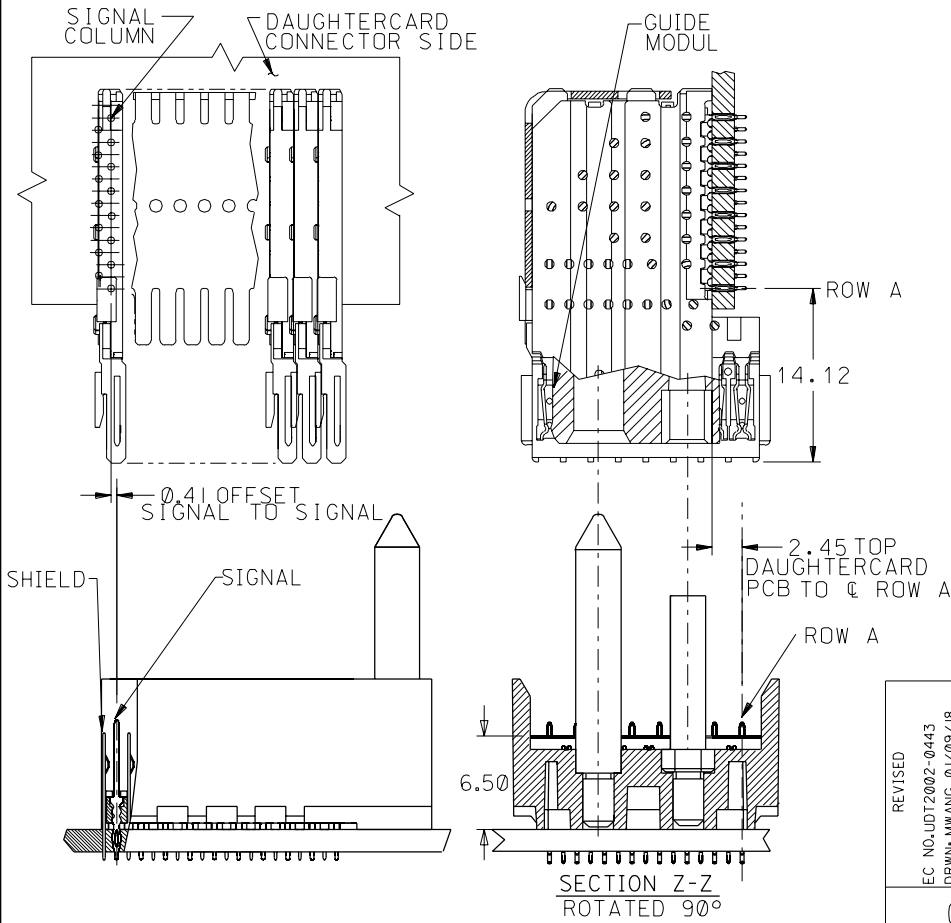
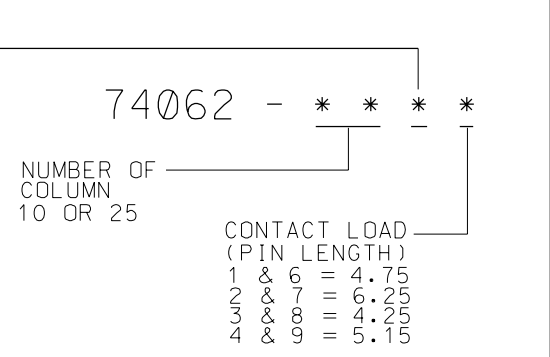
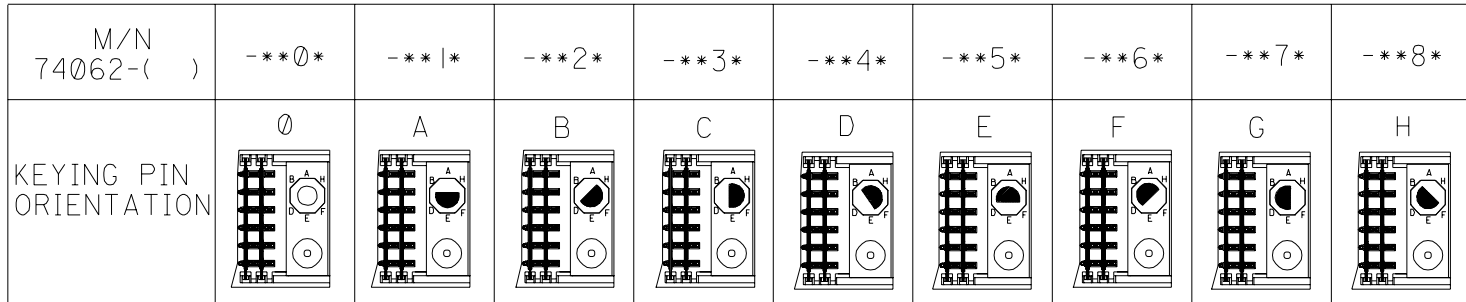


NOTES:

- MATERIALS:
HOUSING - LIQUID CRYSTAL POLYMER (LCP),
GLASS-FILLED, UL 94V-0, COLOR: BLACK.
SIGNAL PIN & SHIELD - COPPER ALLOY.
- FINISHES:
SELECTIVE GOLD (Au) ON CONTACT AREA;
SELECTIVE TIN/LEAD (Sn/Pb) ON PCB TAILS;
NICKEL (Ni) OVERALL.
- THIS PART CONFORMS TO MOLEX
PRODUCT SPECIFICATION PS-74031-999
- FOR MIXED CONTACT MATING LENGTHS.
CONSULT MOLEX FOR AVAILABILITY.
- FOR SPECIFIC MATERIAL NUMBERS
AND MATING INFORMATION REFER TO
SHEET 2.
- PACKAGE PER PK-74061-003.
- EITHER MARK PARTS WITH PART NUMBER
AND DATE CODE APPROXIMATELY WHERE
SHOWN OR PLACE LABEL ON THE TUBE.

2	G
1	G
SHT	REV
REVISE ON CAD ONLY	

REVISED EC NO. UDT2002-0443 DRWN: MWANG 01/09/18 CHK: NMARTIN 01/09/19 APPR: CBIXLER 01/09/19	QUALITY SYMBOLS	GENERAL TOLERANCES: (UNLESS SPECIFIED)		SCALE 2.5:1	DESIGN UNITS <input checked="" type="checkbox"/> mm <input type="checkbox"/> INCH	THIRD ANGLE PROJECTION <input checked="" type="checkbox"/> mm <input type="checkbox"/> INCH <input checked="" type="checkbox"/> mm ONLY	DIMENSIONS: <input type="checkbox"/> mm <input type="checkbox"/> INCH <input checked="" type="checkbox"/> mm ONLY			
	MAJOR $\nabla = 0$	mm	INCH	DRAWN BY & DATE MWANG 11/09/98		TITLE: VHDM BACKPLANE 8 ROW GROUND-SHIELD END SALES DRAWING				
	CRITICAL $\nabla C = 0$	4 PLACES $\pm 0.---$	$\pm .$	3 PLACES $\pm 0.---$	$\pm .$	CHECKED BY & DATE JLAURX 11/09/98	MOLEX MOLEX INCORPORATED			
		2 PLACES $\pm 0.---$	$\pm .$	1 PLACE $\pm 0.---$	$\pm .$	APPROVED BY & DATE CBIXLER 11/09/98	CAD FILENAME SD-74062-002.DGN	MATERIAL NO. SEE SHEET 2	DRAWING NO. SD-74062-002	SHEET NO. 1 OF 2
	ANGULAR: $\pm ---^\circ$		DRAFT WHERE APPLICABLE MUST REMAIN WITHIN DIMENSIONS		THIS DRAWING CONTAINS INFORMATION THAT IS PROPRIETARY TO MOLEX INCORPORATED AND SHOULD NOT BE USED WITHOUT WRITTEN PERMISSION.					

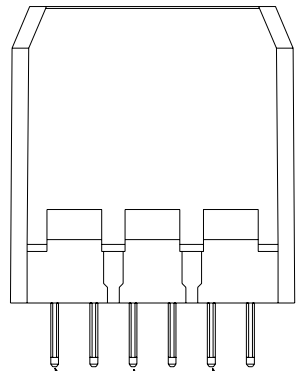
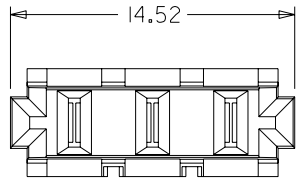
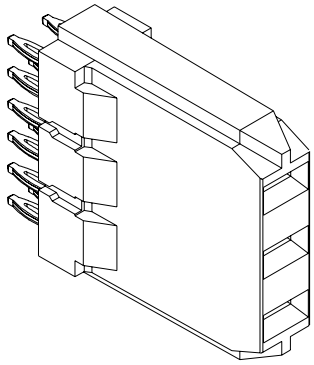


PART NUMBER	COLUMN	NUMBER OF SIGNAL PIN	NUMBER OF SHIELD	A MAX	B	M	Au (um) THICKNESS	Sn/Ph (um) THICKNESS
74062-10*1	10	80	10	27.00	18.00	4.75	0.76	0.38-1.52
74062-10*6							1.27	
74062-25*1	25	200	25	57.00	48.00	6.25	0.76	
74062-25*6							1.27	
74062-10*2	10	80	10	27.00	18.00	4.25	0.76	
74062-10*7							1.27	
74062-25*2	25	200	25	57.00	48.00	5.15	0.76	
74062-25*7							1.27	
74062-10*3	10	80	10	27.00	18.00	4.75	0.76	
74062-10*8							1.27	
74062-25*3	25	200	25	57.00	48.00	6.25	0.76	
74062-25*8							1.27	
74062-10*4	10	80	10	27.00	18.00	4.25	0.76	
74062-10*9							1.27	
74062-25*4	25	200	25	57.00	48.00	5.15	0.76	
74062-25*9							1.27	

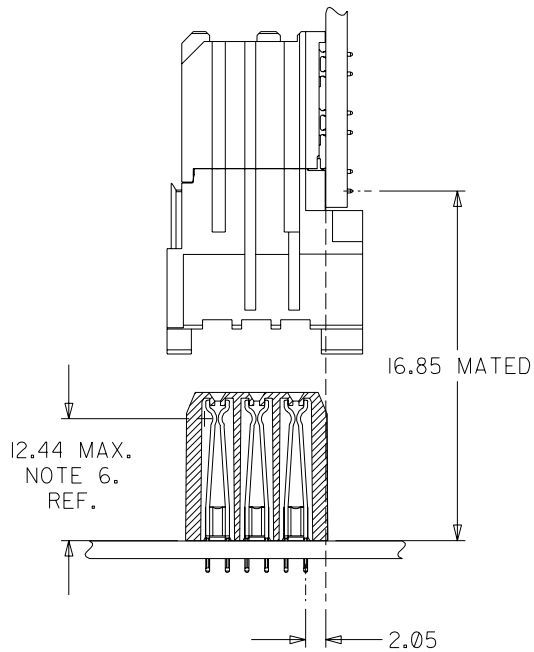
REVISED EC NO. UDT2002-0443 DRWN: MWANG 01/09/18 CHK: JLAURX 01/09/19 APPR: CBIXLER 01/09/19	QUALITY SYMBOLS MAJOR = 0 CRITICAL = 0	GENERAL TOLERANCES: (UNLESS SPECIFIED)		SCALE 2.5:1	DESIGN UNITS <input checked="" type="checkbox"/> mm <input type="checkbox"/> INCH	THIRD ANGLE PROJECTION	DIMENSIONS: INCH		SHT	REV	
			mm	INCH	DRAWN BY & DATE MWANG 11/09/98		mm		mm ONLY		INCORPORATED AND SHOULD NOT BE USED WITHOUT WRITTEN PERMISSION.
		4 PLACES	±0.---	±.	CHECKED BY & DATE JLAURX 11/09/98		mm		mm ONLY		
		3 PLACES	±0.---	±.	APPROVED BY & DATE CBIXLER 11/09/98		mm		mm ONLY		
2 PLACES	±0.---	±.	CAD FILENAME SD-74062-002.DGN	mm		mm ONLY					
1 PLACE	±0.---	±.	ANGULAR: ±---°	mm		mm ONLY		MATERIAL NO. SEE CHART			
DRAFT WHERE APPLICABLE MUST REMAIN WITHIN DIMENSIONS			THIS DRAWING CONTAINS INFORMATION THAT IS PROPRIETARY TO MOLEX		DRAWING NO. SD-74062-002		SHEET NO. 2		SIZE B		

TITLE: VHDM BACKPLANE 8 ROW GROUND SHIELD END SALES DRAWING

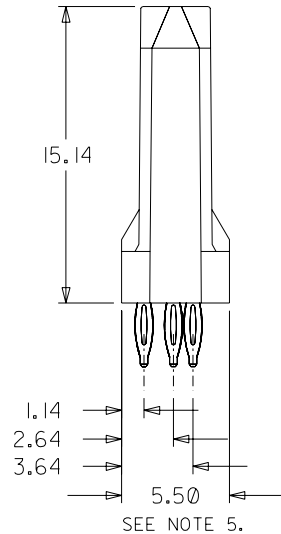
MOLEX INCORPORATED



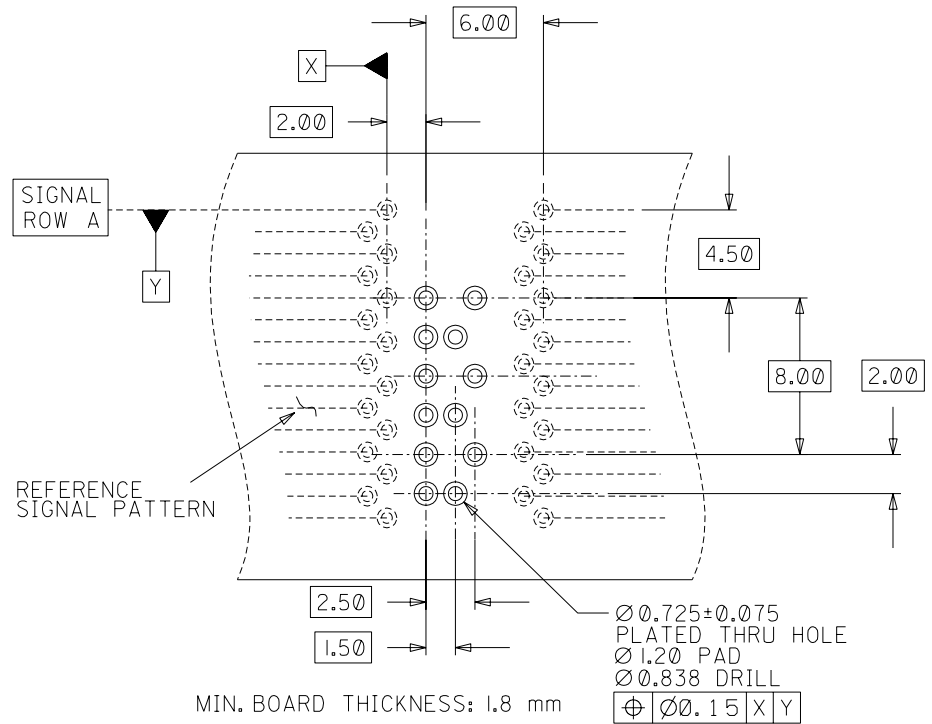
SEE NOTE 8. & CHART



12.44 MAX.
NOTE 6.
REF.



SEE NOTE 5.



MIN. BOARD THICKNESS: 1.8 mm

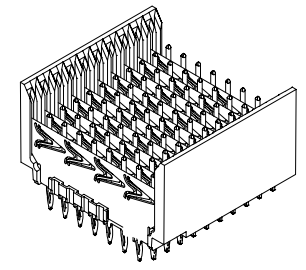
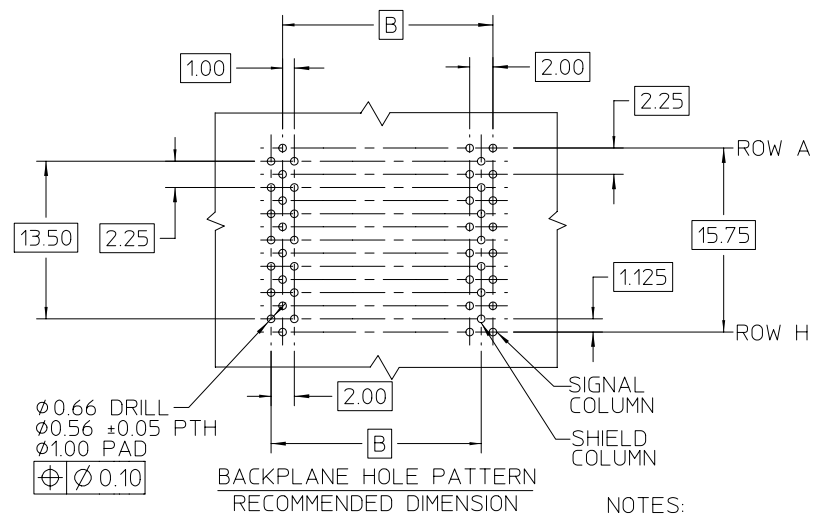
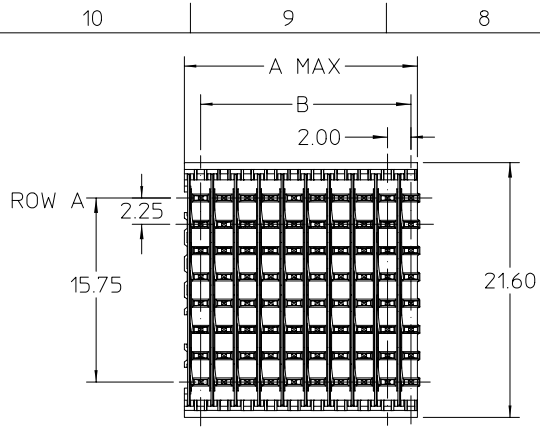
Ø0.725±0.075
PLATED THRU HOLE
Ø1.20 PAD
Ø0.838 DRILL
⊕ Ø0.15 X Y

NOTES:

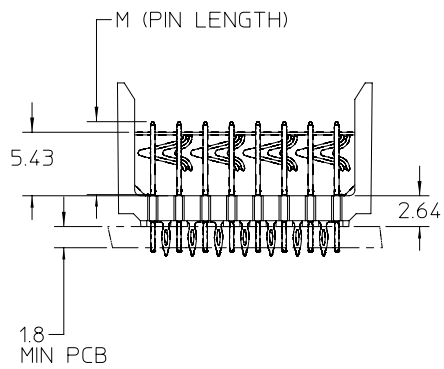
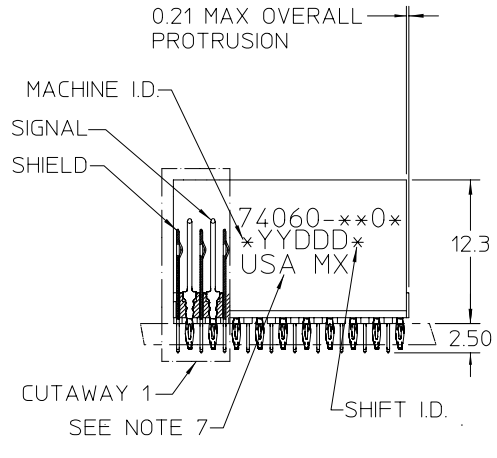
1. MATERIALS:
HOUSING - LIQUID CRYSTAL POLYMER (LCP)
UL94 V-0 RATED, COLOR: BLACK
TERMINAL - COPPER ALLOY
2. FINISH: 30 microINCH MIN GOLD ON MATING SURFACE;
TIN/LEAD ON TAILS; NICKEL OVERALL.
3. FINISH: 50 microINCH MIN GOLD ON MATING SURFACE;
TIN/LEAD ON TAILS; NICKEL OVERALL.
4. THIS PART CONFORMS TO PRODUCT SPECIFICATION
PS-74031-999.
5. USE 6.00 mm NOMINAL FOR BACKPLANE LAYOUT.
6. DIMENSION MEASURED FROM BOTTOM OF HOUSING.
7. PACKED PER PK-70873-0876.
8. CONTACT NOT PRESENT AT POSITION ON
-84** ASSEMBLIES.

ASSEMBLY #	CONTACT PLATING	OPEN LOC.	# CONTACTS
74029-8000	SEE NOTE 2.	N/A	3
74029-8050	SEE NOTE 3.	N/A	
74029-8400	SEE NOTE 2.	POS. 2	2
74029-8450	SEE NOTE 3.	POS. 2	
74029-8401	SEE NOTE 2.	POS. 1	
74029-8451	SEE NOTE 3.	POS. 1	
74029-8403	SEE NOTE 2.	POS. 3	
74029-8453	SEE NOTE 3.	POS. 3	

PRINT CORRECTION EC NO. UDT2003-1261 DRWN:ELO 02/11/21 CHK:ELO 02/11/22 APPR:BIXLER 02/11/22	QUALITY SYMBOLS MAJOR $\blacktriangledown = \emptyset$ CRITICAL $\blacktriangle = \emptyset$	GENERAL TOLERANCES: (UNLESS SPECIFIED)		SCALE NONE	DESIGN UNITS <input checked="" type="checkbox"/> mm <input type="checkbox"/> INCH	DIMENSIONS: <input type="checkbox"/> mm <input type="checkbox"/> INCH <input checked="" type="checkbox"/> mm ONLY		SHT	REV
		4 PLACES $\pm 0.$ mm $\pm .$ INCH 3 PLACES $\pm 0.$ mm $\pm .$ INCH 2 PLACES $\pm 0.$ mm $\pm .$ INCH 1 PLACE $\pm 0.$ mm $\pm .$ INCH	DRAWN BY & DATE ELO 98/10/19	THIRD ANGLE PROJECTION		TITLE: VHDM POWER 8 ROW BACKPLANE SALES ASSEMBLY		REVISION ON CAD ONLY	
H	DESCRIPTION REV	ANGLAR: $\pm 5^\circ$		APPROVED BY & DATE BIXLER 98/10/22		MOLEX INCORPORATED			
		DRAFT WHERE APPLICABLE MUST REMAIN WITHIN DIMENSIONS		CAD FILENAME SD-74029-002.S01		MATERIAL NO. SEE CHART		DRAWING NO. SD-74029-002	
				THIS DRAWING CONTAINS INFORMATION THAT IS PROPRIETARY TO MOLEX INCORPORATED AND SHOULD NOT BE USED WITHOUT WRITTEN PERMISSION.				SIZE B	

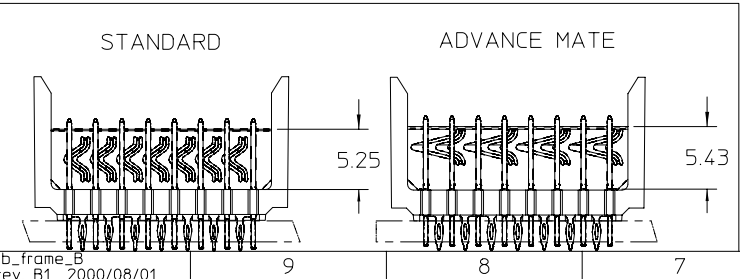


$\varnothing 0.66$ DRILL
 $\varnothing 0.56 \pm 0.05$ PTH
 $\varnothing 1.00$ PAD
 $\varnothing \varnothing 0.10$

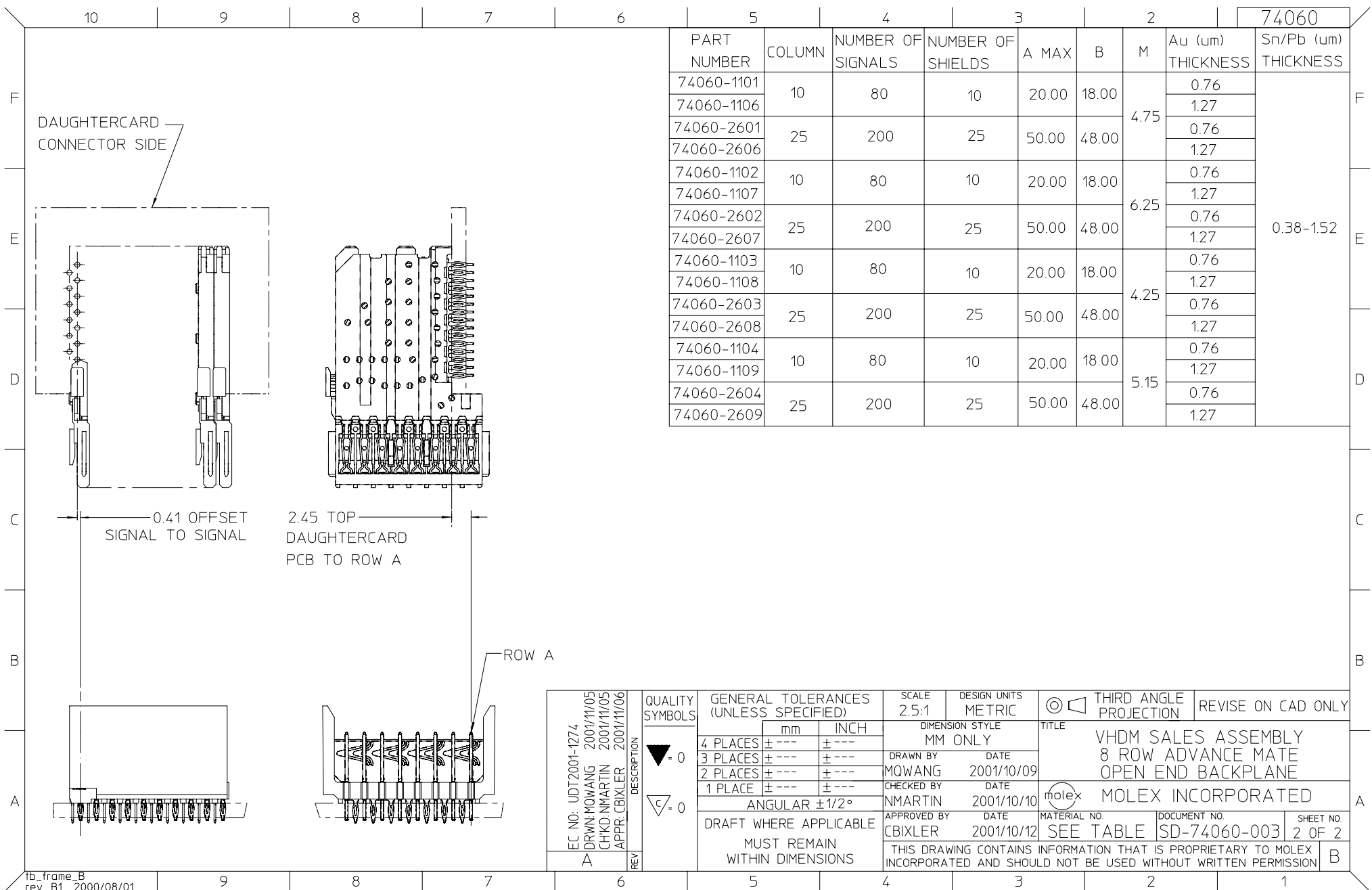


NOTES:

1. MATERIAL: -LIQUID CRYSTAL POLYMER (LCP) GLASS-FILLED. UL 94 V-0. COLOR BLACK. SIGNAL & SHIELD -COPPER ALLOY.
2. FINISHES: SELECTIVE GOLD (Au) ON CONTACT AREA, SELECTIVE TIN/LEAD (Sn/Pb) ON TAILS, NICKEL OVERALL.
3. THIS PART CONFORMS TO MOLEX PRODUCT SPECIFICATION PS-74031-999.
4. FOR MIXED CONTACT MATING LENGTHS CONSULT MOLEX FOR AVAILABILITY.
5. FOR SPECIFIC PART NUMBER AND MATING INFORMATION REFER TO SHEET 2.
6. PACKAGE PER PK-74060-003.
7. EITHER MARK PART NUMBER AND DATE CODE APPROXIMATELY WHERE SHOWN OR PLACE LABEL ON THE TUBE.

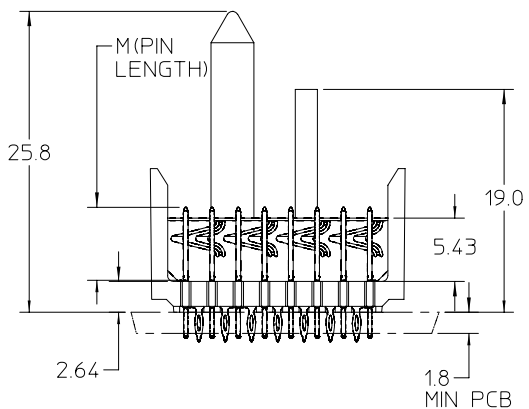
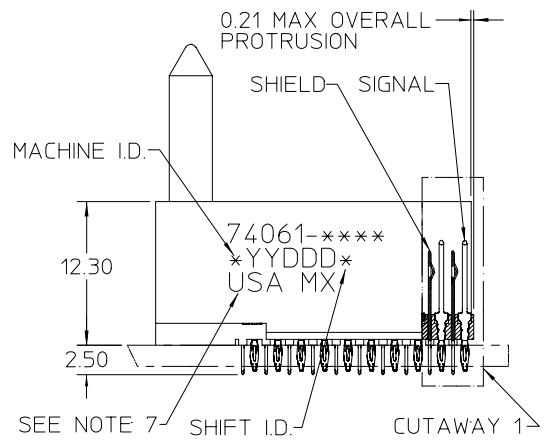
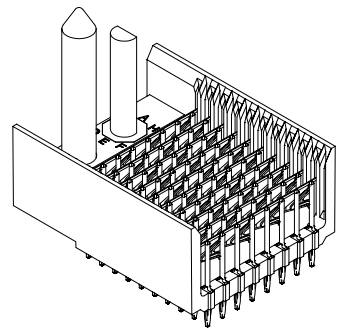
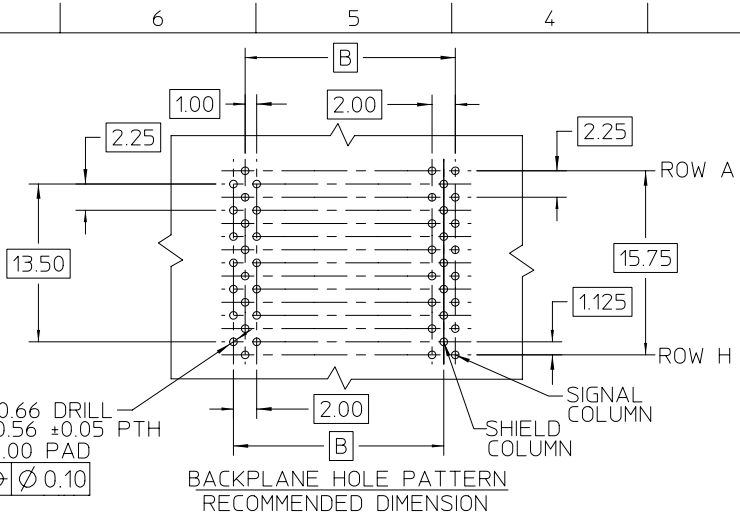
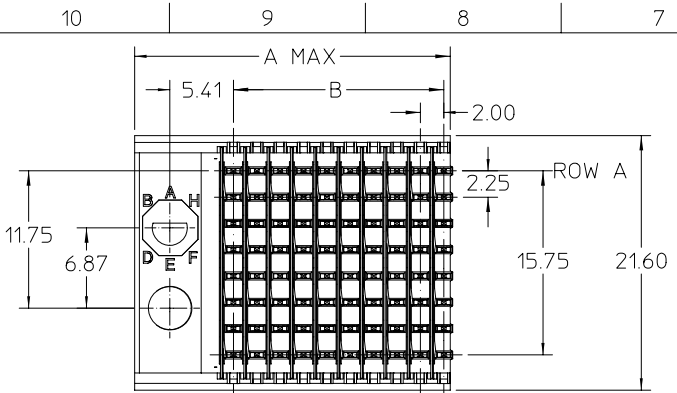


EC NO: UDT2001-1274 DRWN: MQWANG 2001/11/05 CHKD: NMARTIN 2001/11/05 APPR: CBIXLER 2001/11/06 REV A	QUALITY SYMBOLS ▽ 0 ▽ 0	GENERAL TOLERANCES (UNLESS SPECIFIED) 4 PLACES ± --- ± --- 3 PLACES ± --- ± --- 2 PLACES ± --- ± --- 1 PLACE ± --- ± --- ANGULAR ±1/2° DRAFT WHERE APPLICABLE MUST REMAIN WITHIN DIMENSIONS	SCALE 2.5:1 DESIGN UNITS METRIC DIMENSION STYLE MM ONLY DRAWN BY MQWANG DATE 2001/10/09 CHECKED BY NMARTIN DATE 2001/10/10 APPROVED BY CBIXLER DATE 2001/10/12	THIRD ANGLE PROJECTION REVISE ON CAD ONLY TITLE VHDM SALES ASSEMBLY 8 ROW ADVANCE MATE OPEN END BACKPLANE MOLEX MOLEX INCORPORATED MATERIAL NO SEE SHEET 2 DOCUMENT NO SD-74060-003 SHEET NO 1 OF 2
	THIS DRAWING CONTAINS INFORMATION THAT IS PROPRIETARY TO MOLEX INCORPORATED AND SHOULD NOT BE USED WITHOUT WRITTEN PERMISSION			
	EC NO: UDT2001-1274 DRWN: MQWANG 2001/11/05 CHKD: NMARTIN 2001/11/05 APPR: CBIXLER 2001/11/06 REV A			
	EC NO: UDT2001-1274 DRWN: MQWANG 2001/11/05 CHKD: NMARTIN 2001/11/05 APPR: CBIXLER 2001/11/06 REV A			

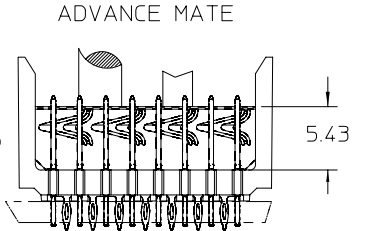
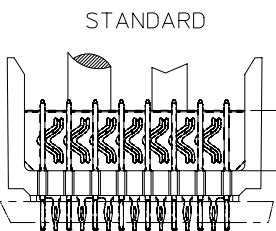


74060									
PART NUMBER	COLUMN	NUMBER OF SIGNALS	NUMBER OF SHIELDS	A MAX	B	M	Au (um) THICKNESS	Sn/Pb (um) THICKNESS	
74060-1101	10	80	10	20.00	18.00	4.75	0.76	0.38-152	F
74060-1106							1.27		
74060-2601	25	200	25	50.00	48.00	6.25	0.76		
74060-2606							1.27		
74060-1102	10	80	10	20.00	18.00	4.25	0.76		
74060-1107							1.27		
74060-2602	25	200	25	50.00	48.00	5.15	0.76		
74060-2607							1.27		
74060-1103	10	80	10	20.00	18.00	4.25	0.76		
74060-1108							1.27		
74060-2603	25	200	25	50.00	48.00	5.15	0.76		
74060-2608							1.27		
74060-1104	10	80	10	20.00	18.00	4.25	0.76		
74060-1109							1.27		
74060-2604	25	200	25	50.00	48.00	5.15	0.76		
74060-2609							1.27		

EC NO: UDT2001-1274 DRWN: MWANG 2001/11/05 CHKD: NMARTIN 2001/11/05 APPR: CBIXLER 2001/11/06	QUALITY SYMBOLS	GENERAL TOLERANCES (UNLESS SPECIFIED)		SCALE 2.5:1	DESIGN UNITS METRIC	THIRD ANGLE PROJECTION	REVISE ON CAD ONLY	
	▼ 0 ▽ 0	4 PLACES ± --- ± ---	DIMENSION STYLE MM ONLY		DRAWN BY DATE		TITLE	
		3 PLACES ± --- ± ---	DRAWN BY DATE		MQWANG 2001/10/09			VHDM SALES ASSEMBLY 8 ROW ADVANCE MATE OPEN END BACKPLANE
		2 PLACES ± --- ± ---	CHECKED BY DATE		NMARTIN 2001/10/10		MOLEX INCORPORATED	
	1 PLACE ± --- ± ---	ANGULAR ±1/2°		APPROVED BY DATE		MATERIAL NO	DOCUMENT NO	SHEET NO
		DRAFT WHERE APPLICABLE MUST REMAIN WITHIN DIMENSIONS		CBIXLER 2001/10/12		SEE TABLE	SD-74060-003	2 OF 2
		THIS DRAWING CONTAINS INFORMATION THAT IS PROPRIETARY TO MOLEX INCORPORATED AND SHOULD NOT BE USED WITHOUT WRITTEN PERMISSION						



- NOTES:
1. MATERIAL: HOUSING -LIQUID CRYSTAL POLYMER (LCP). GLASS-FILLED. UL 94 V-0. COLOR: BLACK. SIGNAL & SHIELD -COPPER ALLOY.
 2. FINISHES: SELECTIVE GOLD (Au) ON CONTACT AREA, SELECTIVE TIN/LEAD (Sn/Pb) ON TAILS, NICKEL OVERALL.
 3. THIS PART CONFORMS TO MOLEX PRODUCT SPECIFICATION PS-74031-999.
 4. FOR MIXED CONTACT MATING LENGTHS CONSULT MOLEX FOR AVAILABILITY.
 5. FOR SPECIFIC PART NUMBER AND MATING INFORMATION REFER TO SHEET 2.
 6. PACKAGE PER PK-74061-003.
 7. EITHER MARK PART NUMBER AND DATE CODE APPROXIMATELY WHERE SHOWN OR PLACE LABEL ON THE TUBE.



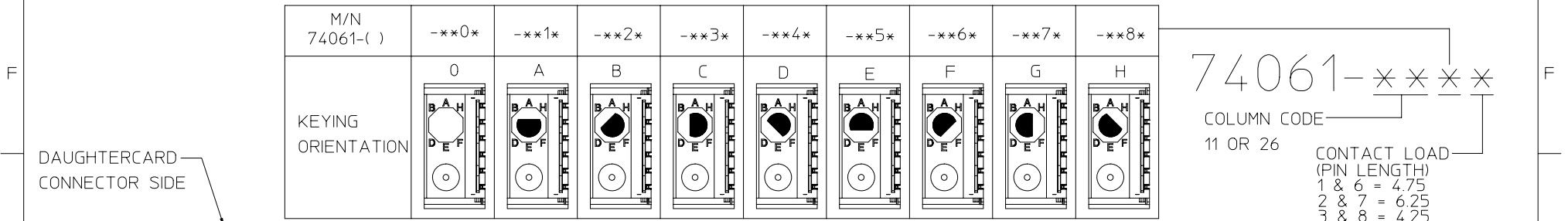
EC NO: UDT2001-1274	DRWN: MWANG 2001/11/05	CHKD: NMARTIN 2001/11/05	APPR: CBXLER 2001/11/06
DESCRIPTION			
REV	A		

QUALITY SYMBOLS	GENERAL TOLERANCES (UNLESS SPECIFIED)	
	mm	INCH
▽ 0	4 PLACES ± ---	± ---
▽ 0	3 PLACES ± ---	± ---
	2 PLACES ± ---	± ---
	1 PLACE ± ---	± ---
	ANGULAR ±1/2°	
	DRAFT WHERE APPLICABLE	
	MUST REMAIN WITHIN DIMENSIONS	

SCALE 2.5:1	DESIGN UNITS METRIC
DIMENSION STYLE MM ONLY	
DRAWN BY MWANG	DATE 2001/10/03
CHECKED BY NMARTIN	DATE 2001/10/04
APPROVED BY CBXLER	DATE 2001/10/04

THIRD ANGLE PROJECTION	REVISE ON CAD ONLY
TITLE VHDM SALES ASSEMBLY 8 ROW ADVANCED MATE SIGNAL END BACKPLANE	
molex MOLEX INCORPORATED	
MATERIAL NO SEE SHEET 2	DOCUMENT NO SD-74061-003
SHEET NO 1 OF 2	

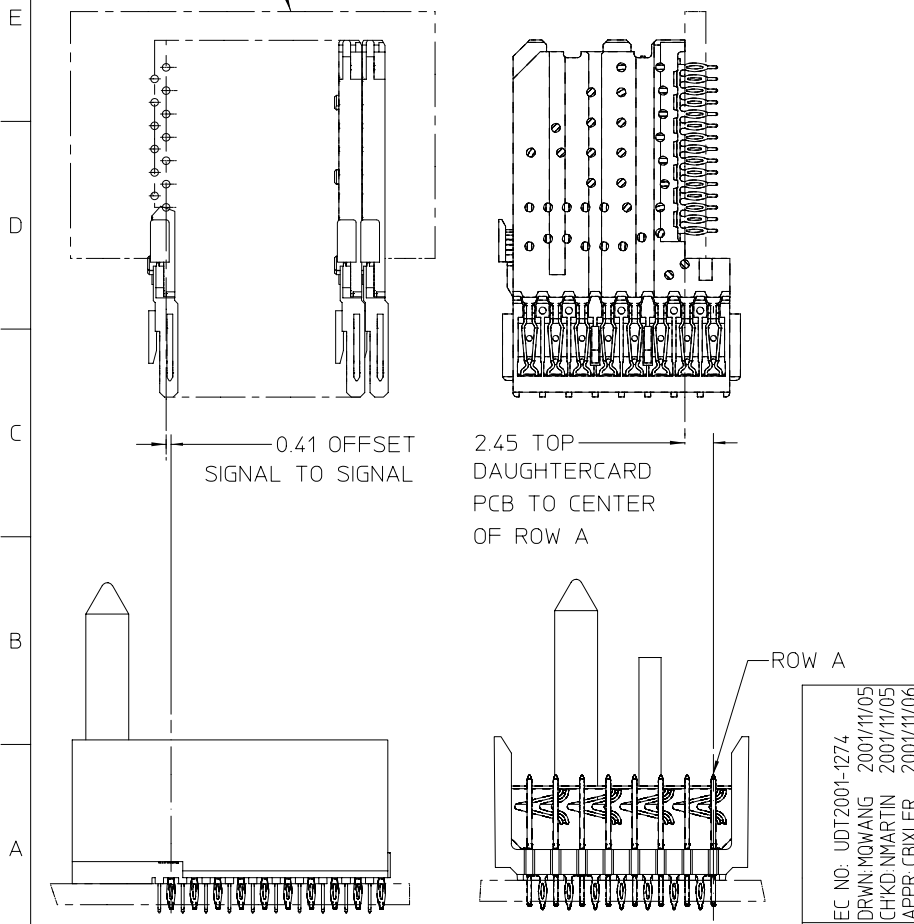
10 9 8 7 6 5 4 3 2 74061



74061-***

COLUMN CODE
11 OR 26
CONTACT LOAD (PIN LENGTH)
1 & 6 = 4.75
2 & 7 = 6.25
3 & 8 = 4.25
4 & 9 = 5.15

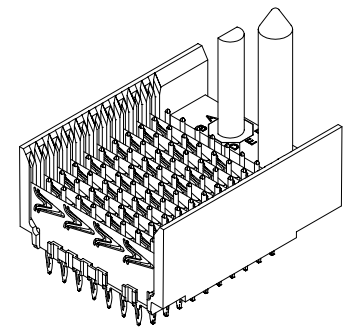
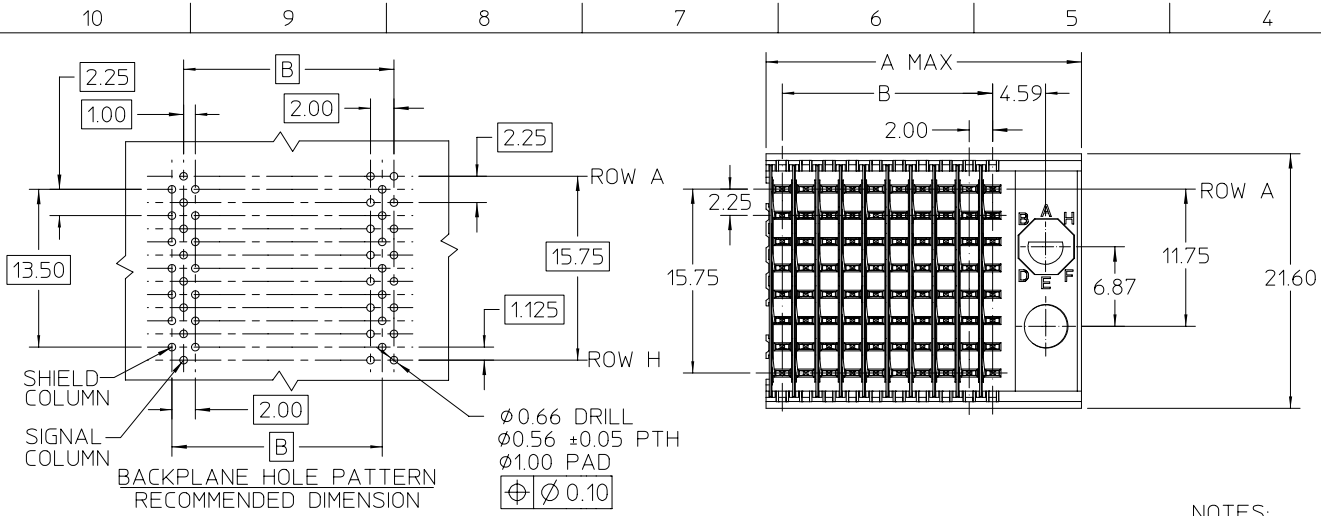
DAUGHTERCARD CONNECTOR SIDE



PART NUMBER	COLUMN	NUMBER OF SIGNALS	NUMBER OF SHIELDS	A MAX	B	M	Au (um) THICKNESS	Sn/Pb (um) THICKNESS
74061-11*1	10	80	10	27.00	18.00	4.25	0.76	0.38-152
74061-11*6							1.27	
74061-2601	25	200	25	57.00	48.00	6.25	0.76	
74061-2606							1.27	
74061-11*2	10	80	10	27.00	18.00	4.25	0.76	
74061-11*7							1.27	
74061-2602	25	200	25	57.00	48.00	6.25	0.76	
74061-2607							1.27	
74061-1103	10	80	10	27.00	18.00	4.25	0.76	
74061-1108							1.27	
74061-2603	25	200	25	57.00	48.00	6.25	0.76	
74061-2608							1.27	
74061-1104	10	80	10	27.00	18.00	5.15	0.76	
74061-1109							1.27	
74061-2604	25	200	25	57.00	48.00	6.25	0.76	
74061-2609							1.27	

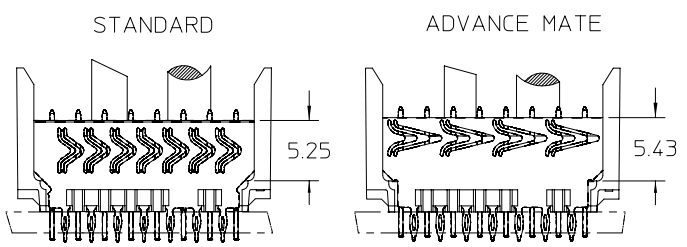
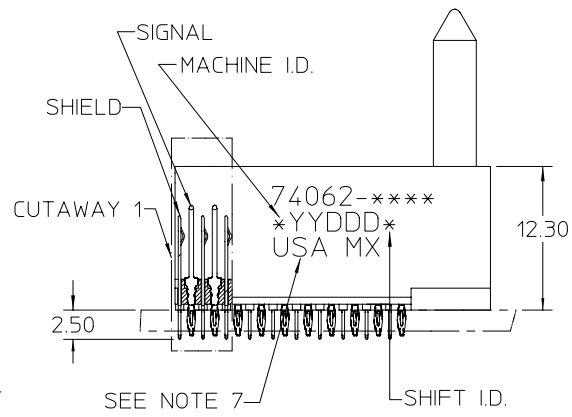
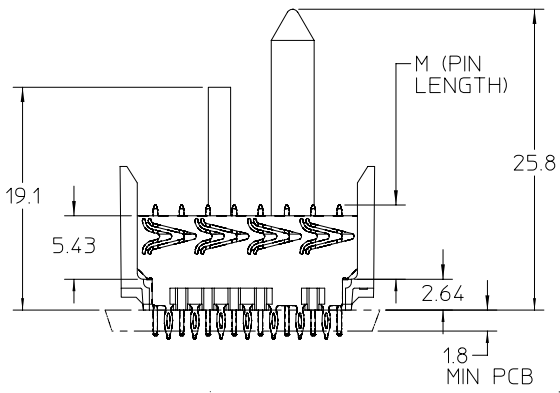
EC NO: UDT2001-1274 DRWN: MWANG 2001/11/05 CHKD: NMARTIN 2001/11/05 APPR: CBIXLER 2001/11/06	QUALITY SYMBOLS	GENERAL TOLERANCES (UNLESS SPECIFIED)	SCALE 2.5:1	DESIGN UNITS METRIC	THIRD ANGLE PROJECTION	REVISE ON CAD ONLY
	▼ - 0 ▽ - 0	4 PLACES ± --- ± ---	DIMENSION STYLE MM ONLY DRAWN BY DATE MQWANG 2001/10/03	TITLE VHDM SALES ASSEMBLY		
		3 PLACES ± --- ± ---		8 ROW ADVANCED MATE		
	DESCRIPTION	2 PLACES ± --- ± ---	CHECKED BY DATE	MOLEX INCORPORATED		
1 PLACE ± --- ± ---		NMARTIN 2001/10/04	MATERIAL NO DOCUMENT NO SHEET NO			
REV	ANGULAR ±1/2°	APPROVED BY DATE	SEE TABLE	SD-74061-003	2 OF 2	
	DRAFT WHERE APPLICABLE MUST REMAIN WITHIN DIMENSIONS	CBIXLER 2001/10/04	THIS DRAWING CONTAINS INFORMATION THAT IS PROPRIETARY TO MOLEX INCORPORATED AND SHOULD NOT BE USED WITHOUT WRITTEN PERMISSION			

9 8 7 6 5 4 3 2 1



NOTES:

- 1 MATERIAL: HOUSING -LIQUID CRYSTAL POLYMER (LCP). GLASS-FILLED. UL 94 V-0. COLOR: BLACK. SIGNAL & SHIELD -COPPER ALLOY.
2. FINISHES: SELECTIVE GOLD (Au) ON CONTACT AREA, SELECTIVE TIN/LEAD (Sn/Pb) ON TAILS, NICKEL OVERALL.
3. THIS PART CONFORMS TO MOLEX PRODUCT SPECIFICATION PS-74031-999.
4. FOR MIXED CONTACT MATING LENGTHS CONSULT MOLEX FOR AVAILABILITY.
5. FOR SPECIFIC PART NUMBER AND MATING INFORMATION REFER TO SHEET 2.
6. PACKAGE PER PK-74061-003.
7. EITHER MARK PART NUMBER AND DATE CODE APPROXIMATELY WHERE SHOWN OR PLACE LABEL ON THE TUBE.



EC NO: UDT2001-1274 DRWN: MQWANG 2001/11/05 CHKD: NMARTIN 2001/11/05 APPR: CBIXLER 2001/11/06	QUALITY SYMBOLS ▽ - 0 ▽ C - 0	GENERAL TOLERANCES (UNLESS SPECIFIED)		SCALE 2.5:1	DESIGN UNITS METRIC	THIRD ANGLE PROJECTION	REVISE ON CAD ONLY
		4 PLACES ± --- ± --- 3 PLACES ± --- ± --- 2 PLACES ± --- ± --- 1 PLACE ± --- ± ---	DIMENSION STYLE MM ONLY	TITLE VHDM SALES ASSEMBLY 8 ROW ADVANCE MATE SHIELD END BACKPLANE			
DESCRIPTION A	DRAFT WHERE APPLICABLE MUST REMAIN WITHIN DIMENSIONS		ANGULAR ±1/2°		DRAWN BY MQWANG DATE 2001/10/08	CHECKED BY NMARTIN DATE 2001/10/08	MOLEX INCORPORATED
	APPROVED BY CBIXLER DATE 2001/10/10		MATERIAL NO SEE SHEET 2	DOCUMENT NO SD-74062-003	SHEET NO 1 OF 2		

10 9 8 7 6 5 4 3 2 74062

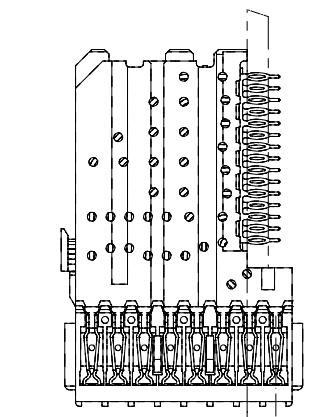
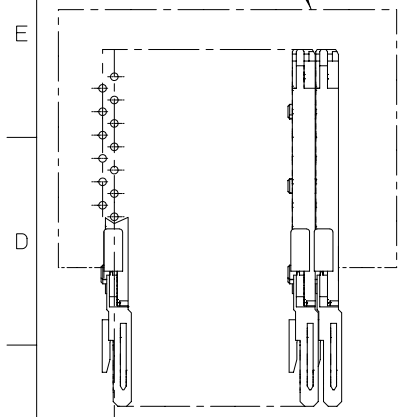
M/N 74062-()	-**0*	-**1*	-**2*	-**3*	-**4*	-**5*	-**6*	-**7*	-**8*
KEYING ORIENTATION	O	A	B	C	D	E	F	G	H

74062-***

COLUMN CODE
11 OR 26

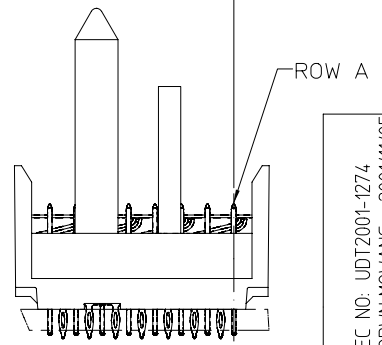
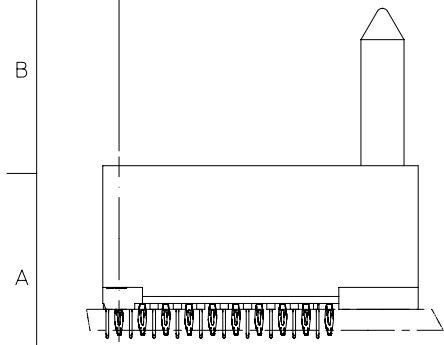
CONTACT LOADED
(PIN LENGTH)
1 & 6 = 4.75
2 & 7 = 6.25
3 & 8 = 4.25
4 & 9 = 5.15

DAUGHTERCARD
CONNECTOR SIDE



0.41 OFFSET
SIGNAL TO SIGNAL

2.45 TOP
DAUGHTERCARD
PCB TO ROW A



PART NUMBER	COLUMN	NUMBER OF SIGNALS	NUMBER OF SHIELDS	A MAX	B	M	Au (um) THICKNESS	Sn/Pb (um) THICKNESS
74062-11*1	10	80	10	27.00	18.00	4.75	0.76	0.38-152
74062-11*6							1.27	
74062-26*1	25	200	25	57.00	48.00	6.25	0.76	
74062-26*6							1.27	
74062-11*2	10	80	10	27.00	18.00	6.25	0.76	
74062-11*7							1.27	
74062-26*2	25	200	25	57.00	48.00	6.25	0.76	
74062-26*7							1.27	
74062-11*3	10	80	10	27.00	18.00	4.25	0.76	
74062-11*8							1.27	
74062-26*3	25	200	25	57.00	48.00	4.25	0.76	
74062-26*8							1.27	
74062-11*4	10	80	10	27.00	18.00	5.15	0.76	
74062-11*9							1.27	
74062-26*4	25	200	25	57.00	48.00	5.15	0.76	
74062-26*9							1.27	

EC NO: UDT2001-1274 DRWN: MQWANG 2001/11/05 CHKD: NMARTIN 2001/11/05 APPR: CBXLER 2001/11/06	QUALITY SYMBOLS ▽ 0 ▽ 0	GENERAL TOLERANCES (UNLESS SPECIFIED)		SCALE 2.5:1	DESIGN UNITS METRIC	THIRD ANGLE PROJECTION	REVISE ON CAD ONLY		
		4 PLACES ± --- ± ---	3 PLACES ± --- ± ---	DIMENSION STYLE MM ONLY		TITLE VHDM SALES ASSEMBLY 8 ROW ADVANCE MATE SHIELD END BACKPLANE			
		2 PLACES ± --- ± ---	1 PLACE ± --- ± ---	ANGULAR ±1/2°		DRAWN BY MQWANG DATE 2001/10/08	MOLEX INCORPORATED		
		DRAFT WHERE APPLICABLE MUST REMAIN WITHIN DIMENSIONS		APPROVED BY CBXLER DATE 2001/10/10	MATERIAL NO SEE TABLE	DOCUMENT NO SD-74062-003	SHEET NO 2 OF 2		

9 8 7 6 5 4 3 2 1